

MARIETTA, GEORGIA

ILS or LOC RWY 11

LOC I-DJR 109.7	APCH CRS 109°	Rwy Idg 10,002 TDZE 1069 Arprt Elev 1069	[USAF]	DOBBINS ARB (KMGE)
---------------------------	-------------------------	---	--------	--------------------

TACAN or RADAR required.

* When ALS inop, increase RVR to 55 and vis to 1 mile.
 ** When ALS inop, increase CAT AB RVR to 55 and vis to 1 mile, CAT CDE vis to 2 miles.

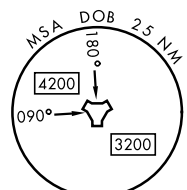
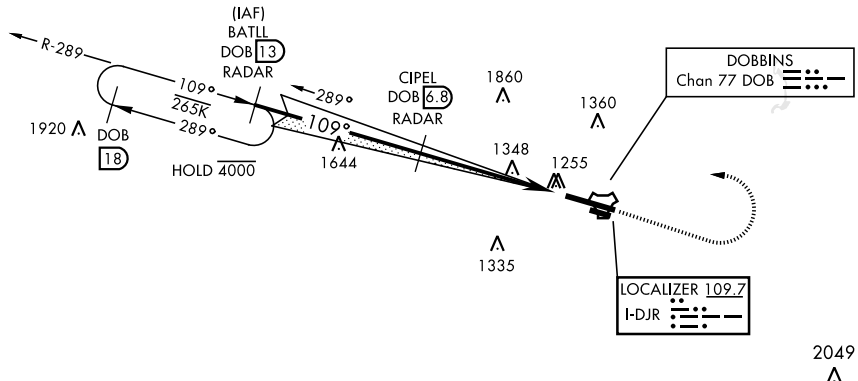
ALS-F1

† MISSED APPROACH: Climb to 2000 track 109°, then climbing left turn to 3000, intercept the DOB TACAN R-289 to BATLL and hold.

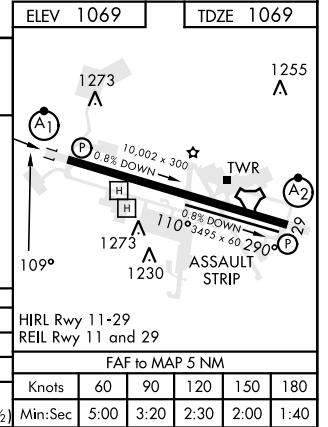
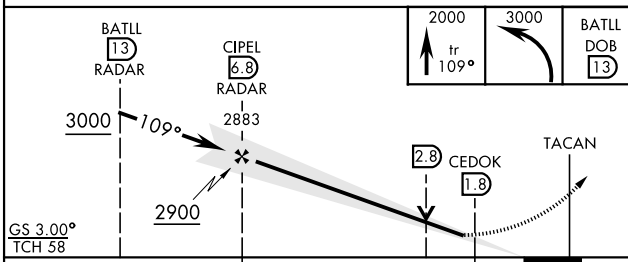
ATIS ★ 269.5	ATLANTA APP CON 121.0 268.7	TOWER ★ 120.75 370.875	GND CON 125.3 275.8	ASR
------------------------	---------------------------------------	----------------------------------	-------------------------------	-----

*** Circling not authorized N of Rwy 11-29 for CAT DE aircraft, Circling to assault strip not authorized.

† Missed approach requires use of RNAV or ATC RADAR monitoring.



EMERG SAFE ALT 100 NM 7800



	A		B		C	D	E
S-ILS 11*	1431/40		362		(400-¾)		
S-LOC 11**	1600/40	531 (600-¾)	1600/55		531	(600-1)	
*** CIRCLING	1600-1	1620-1	1760-2	1760-2¼	1760-2½		
	531 (600-1)	551 (600-1)	691 (700-2)	691 (700-2¼)	691 (700-2½)		

HIRL Rwy 11-29		REL Rwy 11 and 29				
FAF to MAP 5 NM						
Knots	60	90	120	150	180	
Min:Sec	5:00	3:20	2:30	2:00	1:40	

MARIETTA, GEORGIA 33°55'N-84°31'W DOBBINS ARB (KMGE)

Amdt 7 11JUL24

ILS or LOC RWY 11

SE-4, 28 NOV 2024 to 26 DEC 2024

SE-4, 28 NOV 2024 to 26 DEC 2024