

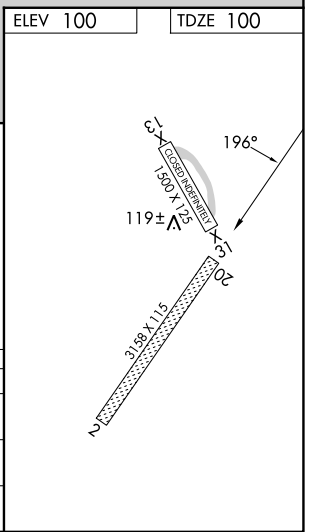
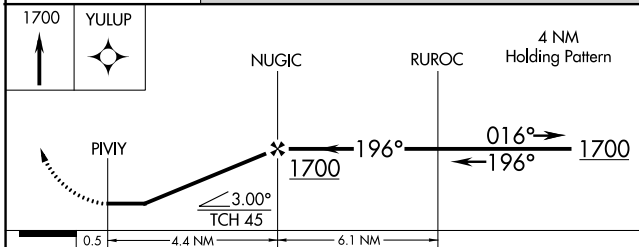
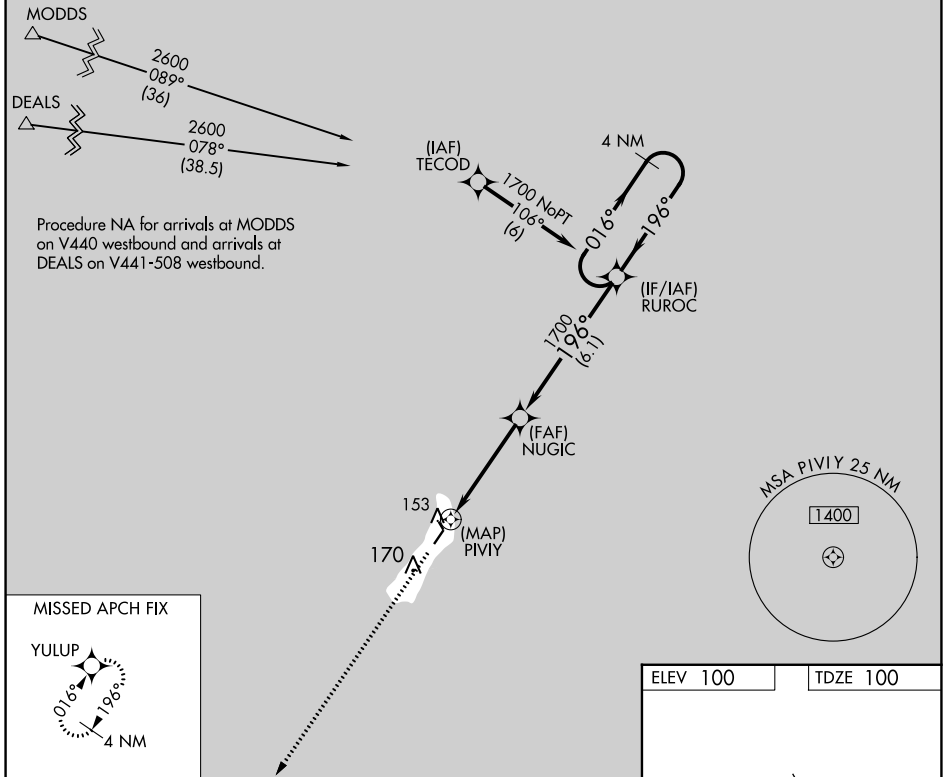
WAAS CH <b>42627</b> <b>W20A</b>	APP CRS <b>196°</b>	Rwy Idg TDZE Apt Elev	<b>3158</b> <b>100</b> <b>100</b>
--	------------------------	-----------------------------	---

# RNAV (GPS) RWY 20

MIDDLETON ISLAND (MDO) (PAMD)

**▼** DME/DME RNP-0.3 NA. Procedure NA at night. Helicopter visibility reduction below 1 SM NA. MISSED APPROACH: Climb to 1700 direct YULUP and hold.

AWOS-3P <b>135.725</b>	ANCHORAGE CENTER <b>133.6 269.4</b>	JUNEAU RADIO <b>122.05</b>	CTAF <b>122.9</b>
---------------------------	--	-------------------------------	----------------------



CATEGORY	A	B	C	D
LP MDA	420-1 320 (400-1)			NA
LNAV MDA	660-1	560 (600-1)	660-1½ 560 (600-1½)	NA
CIRCLING	660-1	560 (600-1)	660-1½ 560 (600-1½)	NA

AK, 31 OCT 2024 to 26 DEC 2024

AK, 31 OCT 2024 to 26 DEC 2024