

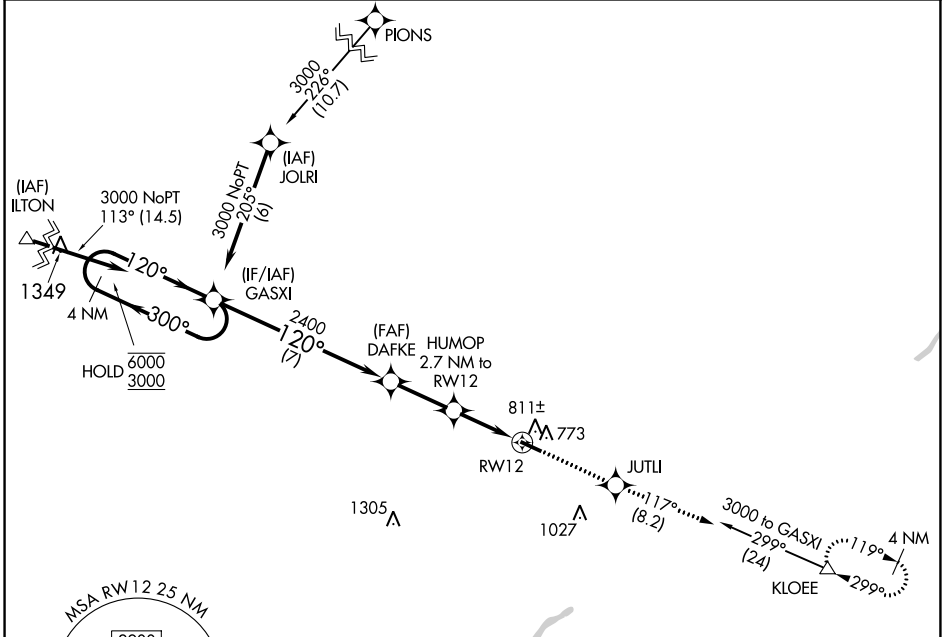
|             |          |             |
|-------------|----------|-------------|
| APP CRS     | Rwy Idg  | <b>4199</b> |
| <b>120°</b> | TDZE     | <b>707</b>  |
|             | Apt Elev | <b>707</b>  |

# RNAV (GPS) RWY 12

DEFIANCE MEML (DFI)

|  |  |
|--|--|
| RNP APCH.  | MISSED APPROACH: Climb to 3000 direct JUTLI and on track 117° to KLOEE and hold. |
| <p><b>▼</b> Circling Rwy 30 NA at night. Rwy 12 helicopter visibility reduction below 3/4 SM NA.</p> <p><b>▲</b></p> |  |

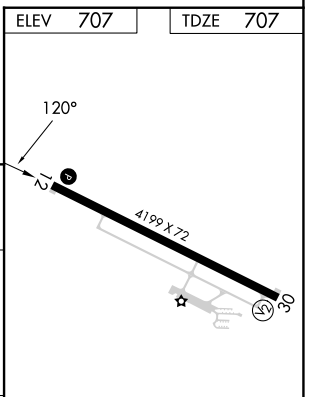
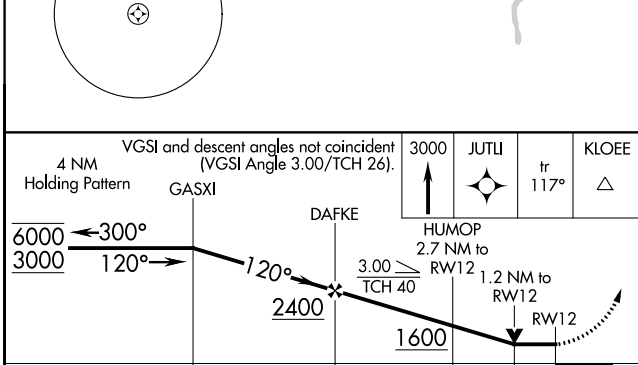
|                        |                                       |                               |
|------------------------|---------------------------------------|-------------------------------|
| ASOS<br><b>121.425</b> | TOLEDO APP CON<br><b>134.35 307.0</b> | UNICOM<br><b>122.7 (CTAF)</b> |
|------------------------|---------------------------------------|-------------------------------|



EC-2, 28 NOV 2024 to 26 DEC 2024

EC-2, 28 NOV 2024 to 26 DEC 2024

|          |          |
|----------|----------|
| ELEV 707 | TDZE 707 |
|----------|----------|



| CATEGORY          | A                     | B                     | C                     | D                             |
|-------------------|-----------------------|-----------------------|-----------------------|-------------------------------|
| LNVA MDA          | 1100-1                | 393 (400-1)           | 1100-1 1/8            | 393 (400-1 1/8)               |
| <b>C</b> CIRCLING | 1140-1<br>433 (500-1) | 1160-1<br>453 (500-1) | 1380-2<br>673 (700-2) | 1380-2 1/4<br>673 (700-2 1/4) |

REIL Rwy 12 and 30 **①**  
MIRL Rwy 12-30 **②**