

RADAR and DME required.

TOP ALTITUDE:  
ASSIGNED BY ATC



TAKEOFF MINIMUMS  
Rwys 16, 34: Standard.



AWOS-3PT  
120.775  
CTAF  
122.9  
HOUSTON DEP CON  
119.7 281.4

FORT STOCKTON  
116.9 FST  
Chan 116

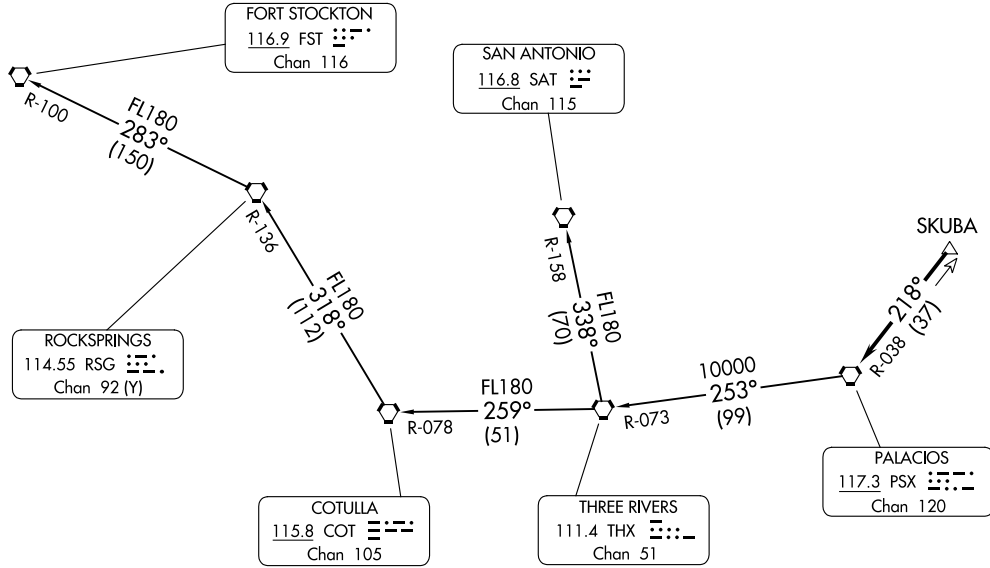
SAN ANTONIO  
116.8 SAT  
Chan 115

ROCKSPRINGS  
114.55 RSG  
Chan 92 (Y)

COTULLA  
115.8 COT  
Chan 105

THREE RIVERS  
111.4 THX  
Chan 51

PALACIOS  
117.3 PSX  
Chan 120



PALACIOS THREE DEPARTURE  
(PSX3, PSX) 03NOV22

LIBERTY, TEXAS  
LIBERTY MUNI (T78)

(PSX3, PSX) 24137  
PALACIOS THREE DEPARTURE

AL-5196 (FAA)

LIBERTY, TEXAS  
LIBERTY MUNI (T78)

(CONTINUED ON FOLLOWING PAGE)

NOTE: Chart not to scale.

# PALACIOS THREE DEPARTURE



## DEPARTURE ROUTE DESCRIPTION

TAKEOFF RUNWAY 16: Climb on heading 161° to 1700 before turning, when entering controlled airspace, climb on assigned heading for RADAR vectors to SKUBA. Maintain ATC assigned altitude. Expect filed altitude 10 minutes after departure, thence. . . .

TAKEOFF RUNWAY 34: Climb on heading 341° to 1000 before turning, when entering controlled airspace, climb on assigned heading for RADAR vectors to SKUBA. Maintain ATC assigned altitude. Expect filed altitude 10 minutes after departure, thence. . . .

. . . .on PSX R-038 to PSX VORTAC.

FORT STOCKTON TRANSITION (PSX3.FST): From over PSX VORTAC on PSX R-253 and THX R-073 to THX VORTAC, then on THX R-259 and COT R-078 to COT VORTAC, then on COT R-318 and RSG R-136 to RSG VORTAC, then on RSG R-283 and FST R-100 to FST VORTAC.

SAN ANTONIO TRANSITION (PSX3.SAT): From over PSX VORTAC on PSX R-253 and THX R-073 to THX VORTAC, then on SAT R-158 to SAT VORTAC.

SC-5, 28 NOV 2024 to 26 DEC 2024

SC-5, 28 NOV 2024 to 26 DEC 2024