

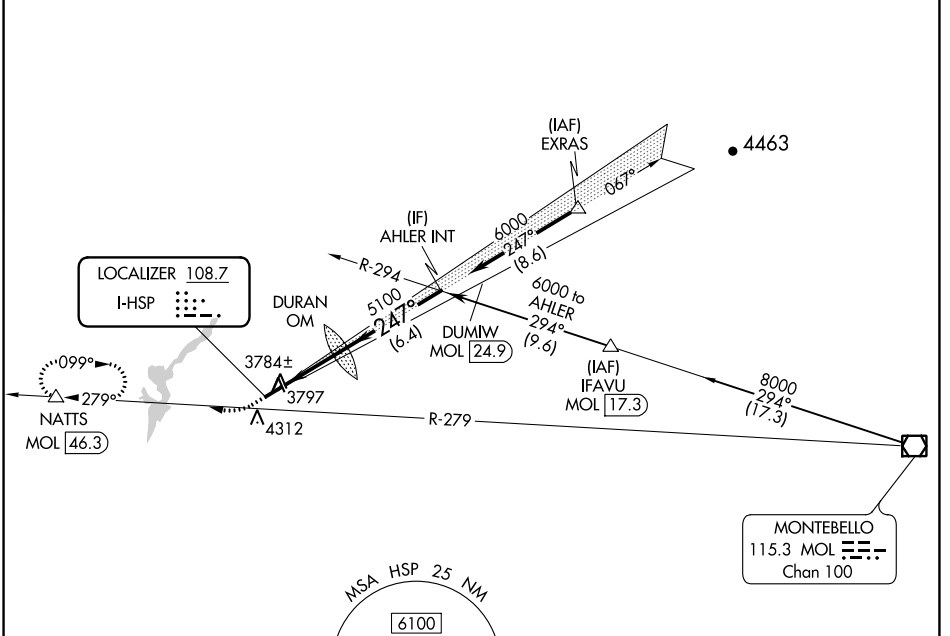
LOC I-HSP 108.7	APP CRS 247°	Rwy Idg 5600 TDZE 3773 Apt Elev 3793
---------------------------	------------------------	---

ILS or LOC RWY 25

INGALLS FLD (HSP)

DME required.	MISSED APPROACH: Climb to 4360, then climbing right turn to 6200 on heading 270° and MOL R-279 to NATTS/MOL 46.3 DME and hold. (DME required).
<p>▼ Circling to Rwy 7 NA at night.</p> <p>▲ NA Circling NA southeast of Rwy 7-25.</p>	

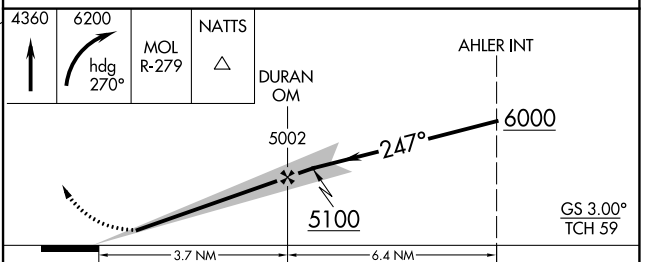
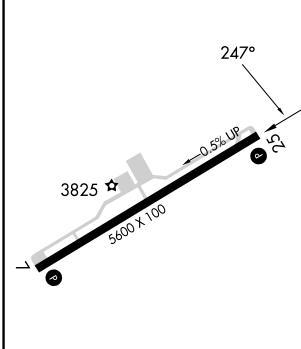
AWOS-3 118.8	WASHINGTON CENTER 134.4 353.9	UNICOM 123.0 (CTAF) 0
------------------------	---	---------------------------------



NE-3, 28 NOV 2024 to 26 DEC 2024

NE-3, 28 NOV 2024 to 26 DEC 2024

ELEV 3793	TDZE 3773
-----------	-----------



REIL Rwy 25	HIRL Rwy 7-25	FAF to MAP 3.7 NM			
Knots	60	90	120	150	180
Min:Sec	3:42	2:28	1:51	1:29	1:14
<input checked="" type="checkbox"/> CIRCLING	4440-1 647 (700-1)	4480-1 687 (700-1)	4480-2 687 (700-2)	4480-2½ 687 (700-2½)	