

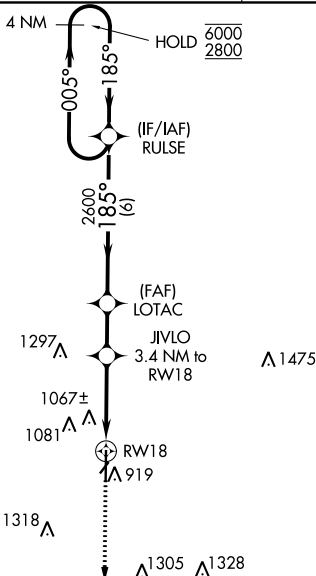
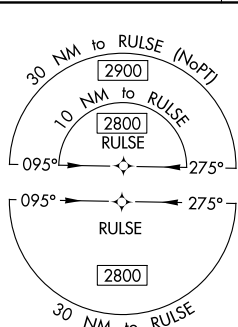
WAAS CH <b>93699</b> <b>W18A</b>	APP CRS <b>185°</b>	Rwy Idg TDZE Apt Elev	<b>6503</b> <b>866</b> <b>866</b>
--	------------------------	-----------------------------	---

# RNAV (GPS) RWY 18

METTEL FLD (CEV)

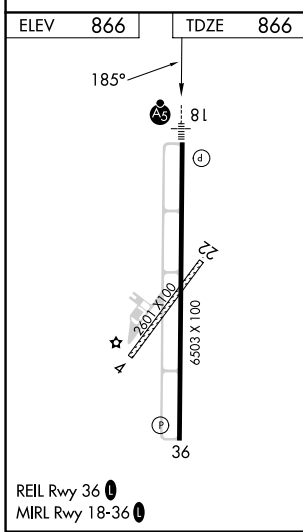
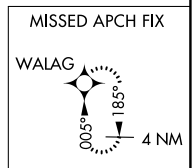
RNP APCH.	<p><b>MALSRL</b></p>	<p><b>MISSED APPROACH:</b> Climb to 2800 direct WALAG and hold.</p>
<p><b>NA</b></p> <p>For uncompensated Baro-VNAV systems, LNAV/VNAV NA below -16°C or above 54°C. VDP and Baro-VNAV NA when using James M. Cox Dayton Intl altimeter setting. Circling Rwy 4, 22 NA at night. For inop ALS increase LPV all Cats visibility to 1 SM, LNAV/VNAV all Cats visibility to 1½ SM, and LNAV Cats A/B visibility to 1 SM. For inop ALS when using James M. Cox Dayton Intl altimeter setting, increase LPV all Cats visibility to 1 SM, LNAV/VNAV all Cats visibility to 1½ SM. When local altimeter setting not received, use James M. Cox Dayton Intl altimeter setting and increase all DA 121 feet and all MDA 140 feet: increase LPV and LNAV/VNAV all Cats and LNAV Cat C/D visibility ¾ SM, and Circling Cat C/D visibility ½ SM.</p>		

AWOS-3 <b>118.325</b>	COLUMBUS APP CON <b>134.45 352.05</b>	UNICOM <b>122.8 (CTAF)</b>
--------------------------	--	-------------------------------



**△1582**

**△1475**



ELEV 866	TDZE 866				
2800	WALAG	LOTAC	RULSE	4 NM Holding Pattern	
*LNAV only	RWY 18	JVLO 3.4 NM to RWY 18	2600	185°	6000
	*1.3 NM to RWY 18	*2000	2600	005°	2800
	1.3 NM	2.1 NM	1.9 NM	6 NM	
GP 3.00°	TCH 46				
REIL Rwy 36	MIRL Rwy 18-36				
CATEGORY	A	B	C	D	
LPV DA	1116-½		250 (300-½)		
LNAV/VNAV DA	1385-1		519 (600-1)		
LNAV MDA	1320-½	454 (500-½)	1320-⅞	454 (500-⅞)	
<b>CIRCLING</b>	1440-1 574 (600-1)	1540-1 674 (700-1)	1620-2¼ 754 (800-2¼)	1620-2½ 754 (800-2½)	

EC-2, 28 NOV 2024 to 26 DEC 2024

EC-2, 28 NOV 2024 to 26 DEC 2024