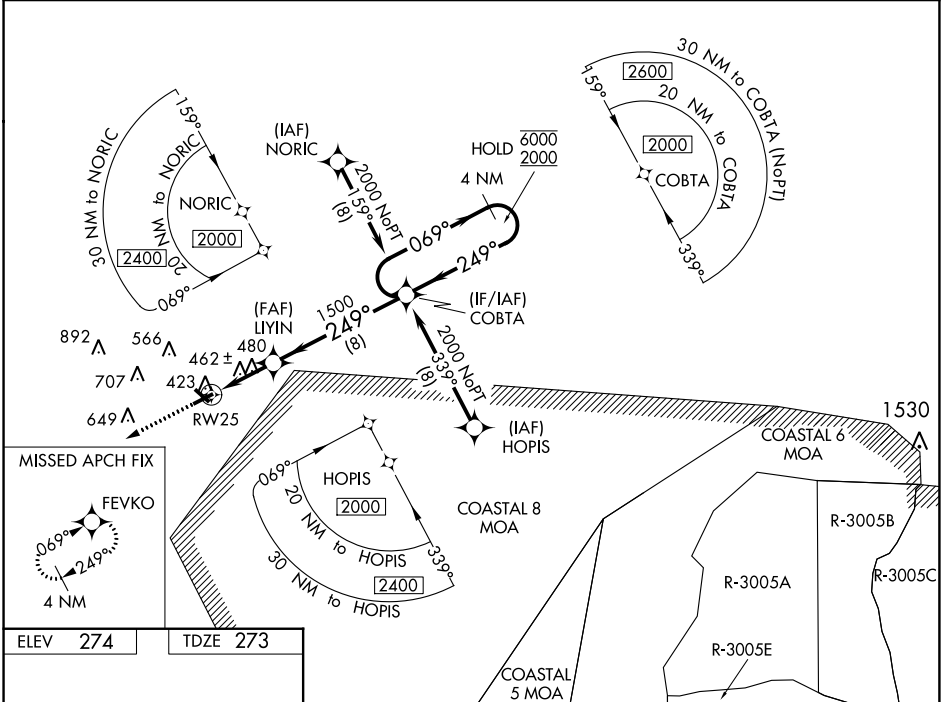


WAAS CH 69609 W25A	APP CRS 249°	Rwy Idg TDZE Apt Elev	6002 273 274
--	------------------------	-----------------------------	---

RNAV (GPS) RWY 25

VIDALIA RGNL (VDI)

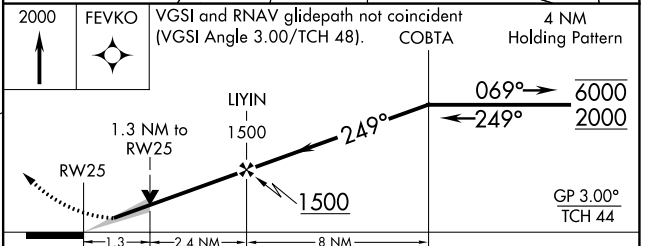
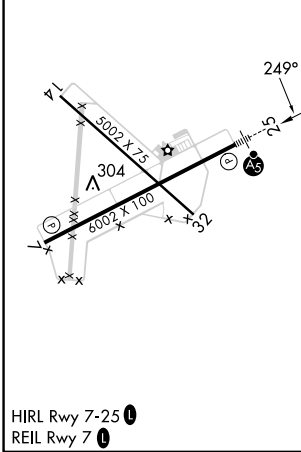
RNP APCH - GPS.		MALSR	MISSED APPROACH: Climb to 2000 direct FEVKO and hold.
<p>▼ Circling Rwy 32 NA at night. For uncompensated Baro-VNAV systems, LNAV/VNAV NA below -15°C or above 54°C. For inop ALS, increase LNAV/VNAV all Cats visibility to ¾ SM and LNAV Cat C/D to 1 ½ SM.</p>			
AWOS-3 119.925	JACKSONVILLE CENTER 127.575 269.025	UNICOM 122.8 (CTAF) 0	



SE-4, 28 NOV 2024 to 26 DEC 2024

SE-4, 28 NOV 2024 to 26 DEC 2024

ELEV 274	TDZE 273
----------	----------



CATEGORY	A	B	C	D
LPV DA	473-½		200 (200-½)	
LNAV/VNAV DA	584-½		311 (400-½)	
LNAV MDA	740-½ 467 (500-½)		740-1 467 (500-1)	
<input checked="" type="checkbox"/> CIRCLING	740-1 466 (500-1)		920-1¾ 1060-2½ 646 (700-1¾) 786 (800-2½)	