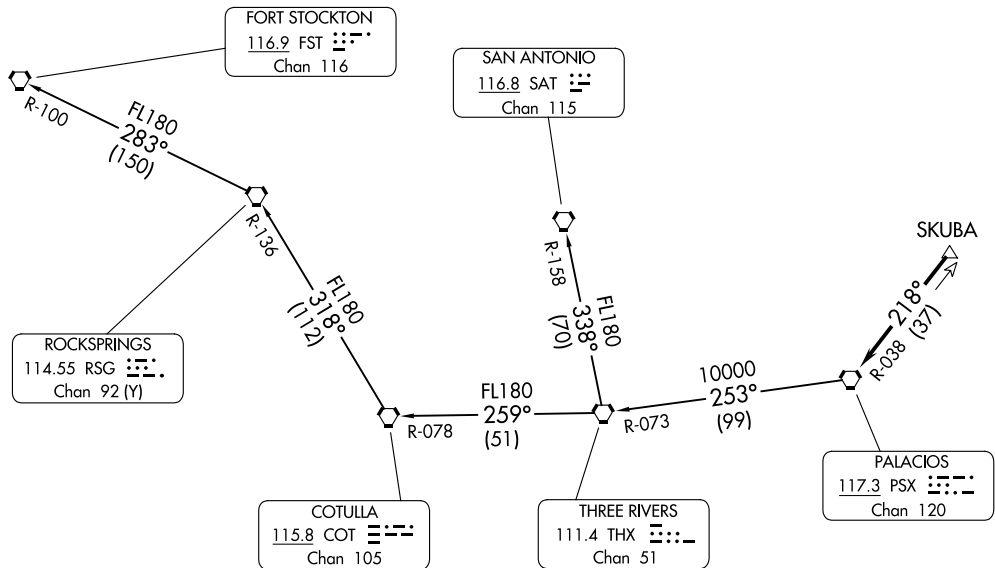


RADAR and DME required.

**TOP ALTITUDE:
ASSIGNED BY ATC**

TAKEOFF MINIMUMS

Rwy 14: 300-1 or standard with a minimum climb of 420' per NM to 300.
Rwy 32: Standard.



NOTE: Chart not to scale.

(CONTINUED ON FOLLOWING PAGE)

PALACIOS THREE DEPARTURE
(PSX3.PSX) 03NOV22

BAYTOWN, TEXAS
BAYTOWN (HPY)

(PSX3.PSX) 24137
PALACIOS THREE DEPARTURE

BAYTOWN (HPY)
BAYTOWN, TEXAS

AL-5757 (FAA)

PALACIOS THREE DEPARTURE



DEPARTURE ROUTE DESCRIPTION

TAKEOFF ALL RUNWAYS: When entering controlled airspace, climb on assigned heading for RADAR vectors to SKUBA. Maintain ATC assigned altitude. Expect filed altitude 10 minutes after departure, thence

. . . . on PSX R-038 to PSX VORTAC.

FORT STOCKTON TRANSITION (PSX3.FST): From over PSX VORTAC on PSX R-253 and THX R-073 to THX VORTAC, then on THX R-259 and COT R-078 to COT VORTAC, then on COT R-318 and RSG R-136 to RSG VORTAC, then on RSG R-283 and FST R-100 to FST VORTAC.

SAN ANTONIO TRANSITION (PSX3.SAT): From over PSX VORTAC on PSX R-253 and THX R-073 to THX VORTAC, then on SAT R-158 to SAT VORTAC.

SC-5, 28 NOV 2024 to 26 DEC 2024

SC-5, 28 NOV 2024 to 26 DEC 2024