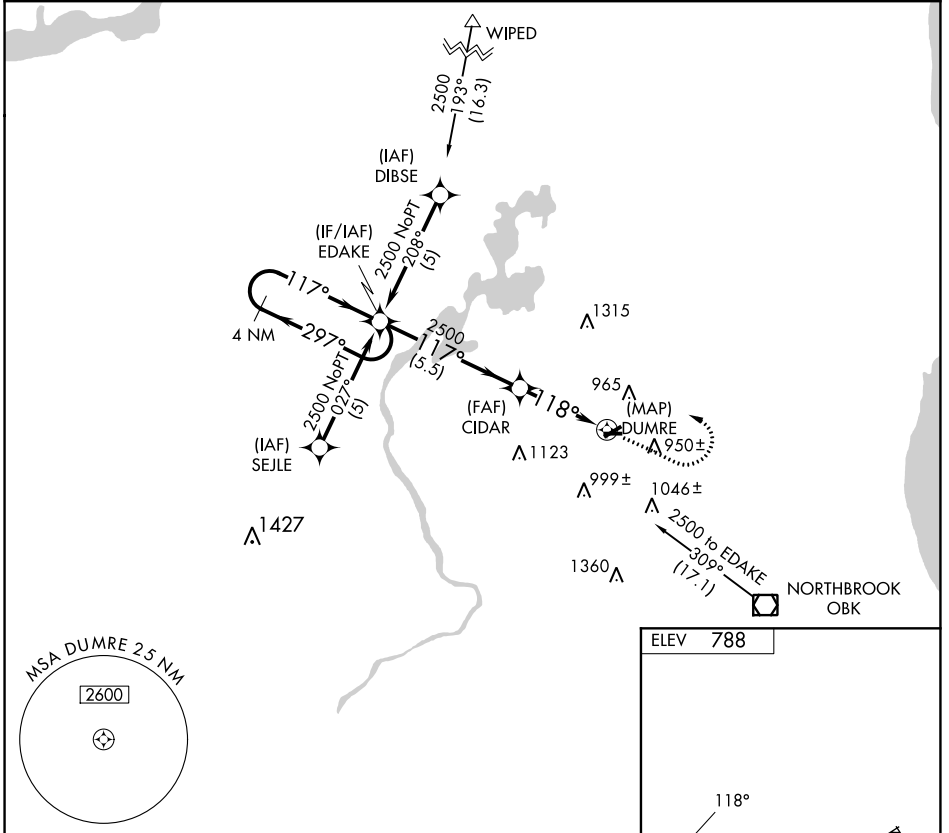


APP CRS	Rwy Idg	N/A
118°	TDZE	N/A
	Apt Elev	788

RNAV (GPS)-B

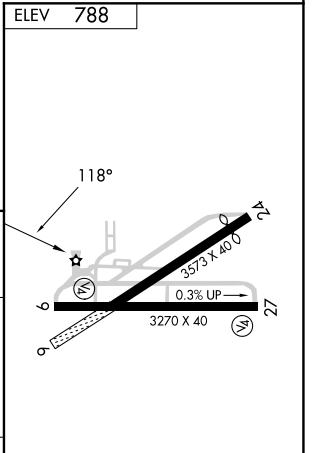
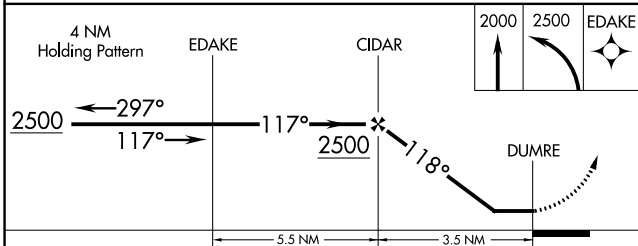
CAMPBELL (C81)

<p>▼ Use Chicago O'Hare altimeter setting. GPS or RNP-0.3 required. ▲ NA DME/DME RNP-0.3 NA.</p>	<p>MISSED APPROACH: Climb to 2000, then climbing left turn to 2500 direct EDAKE WP and hold.</p>
<p>CHICAGO APP CON 120.55 306.925</p>	<p>UNICOM 122.7 (CTAF)</p>



EC-3, 28 NOV 2024 to 26 DEC 2024

EC-3, 28 NOV 2024 to 26 DEC 2024



CATEGORY	A	B	C	D
CIRCLING	1400-1	612 (700-1)	1400-1 ³ / ₄ 612 (700-1 ³ / ₄)	NA