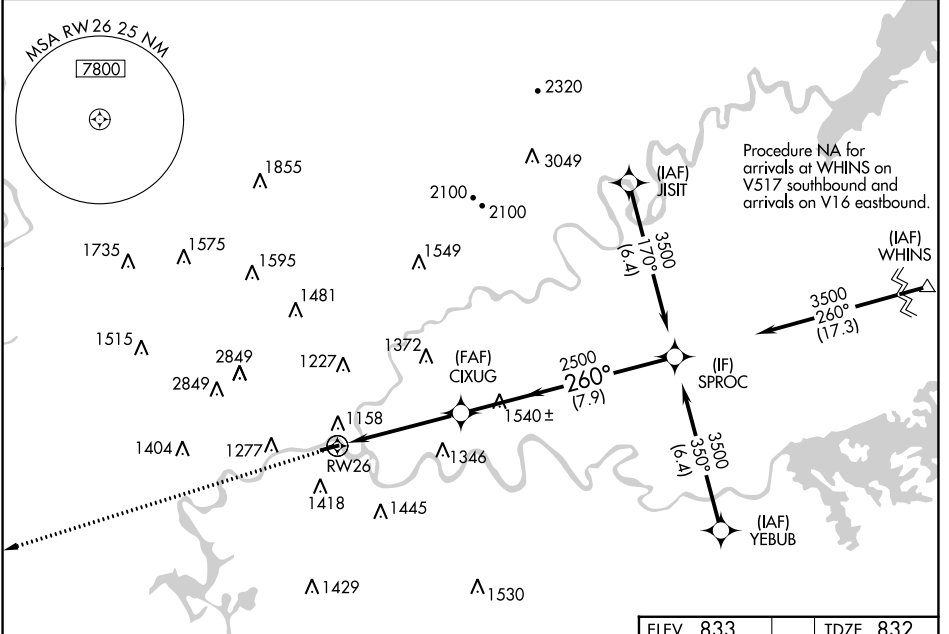


APP CRS <b>260°</b>	Rwy ldg TDZE Apt Elev	<b>3499</b> <b>832</b> <b>833</b>
------------------------	-----------------------------	---

# RNAV (GPS) RWY 26

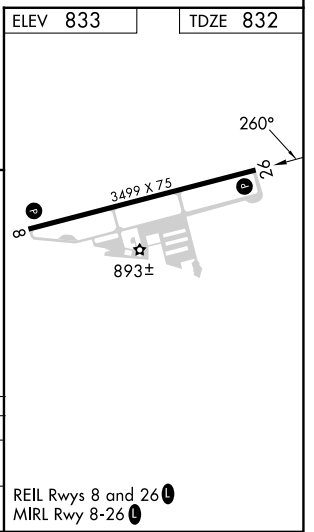
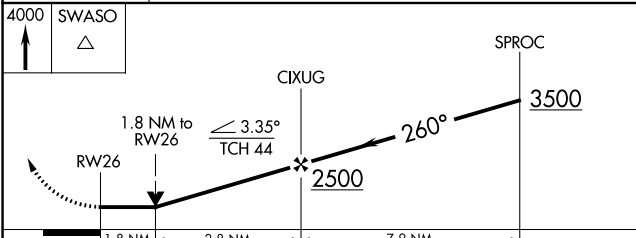
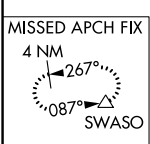
KNOXVILLE DOWNTOWN ISLAND (DKX)

RNP APCH - GPS.		MISSED APPROACH: Climb to 4000 direct SWASO and hold.	
Rwy 26 helicopter visibility reduction below 3/4 SM NA.		AWOS-3 <b>125.375</b>	KNOXVILLE APP CON <b>123.9 353.6</b>
		CINC DEL <b>121.7</b>	UNICOM <b>123.075 (CTAF)</b>



SE-1, 28 NOV 2024 to 26 DEC 2024

SE-1, 28 NOV 2024 to 26 DEC 2024



CATEGORY	A	B	C	D
LNVA MDA	1520-1	688 (700-1)	1520-2 688 (700-2)	NA
CIRCLING	1600-1 767 (800-1)	1720-1 1/4 887 (900-1 1/4)	1720-2 3/4 887 (900-2 3/4)	NA

REIL Rwy 8 and 26   
 MIRL Rwy 8-26