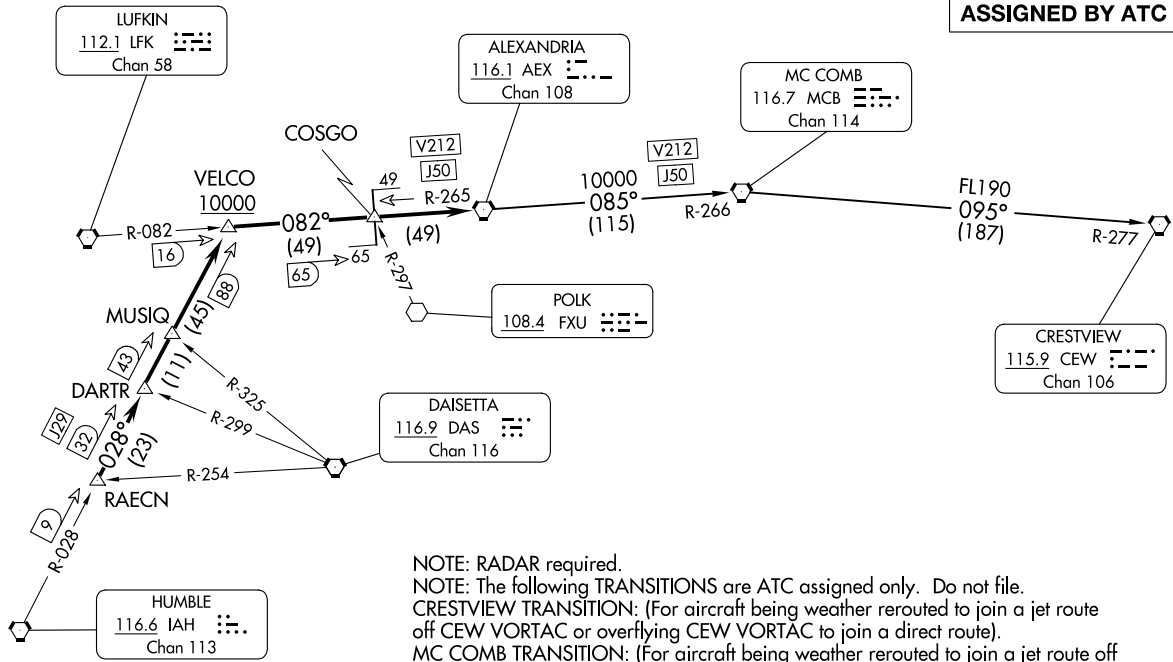


ALEXANDRIA THREE DEPARTURE  
(AEX3.AEX) 0700171  
HOUSTON, TEXAS  
HOUSTON/SOUTHWEST (AXH)

AWOS-3  
123.625  
CLNIC DEL  
120.8  
CTAF  
123.0  
HOUSTON DEP CON  
123.8 257.7



**TOP ALTITUDE:  
ASSIGNED BY ATC**

(AEX3.AEX) 24137  
ALEXANDRIA THREE DEPARTURE  
AL-6575 (FAA)  
HOUSTON/SOUTHWEST (AXH)  
HOUSTON, TEXAS

NOTE: RADAR required.  
 NOTE: The following TRANSITIONS are ATC assigned only. Do not file.  
 CRESTVIEW TRANSITION: (For aircraft being weather rerouted to join a jet route off CEW VORTAC or overflying CEW VORTAC to join a direct route).  
 MC COMB TRANSITION: (For aircraft being weather rerouted to join a jet route off MCB VORTAC or overflying MCB VORTAC to join a direct route).

TAKEOFF MINIMUMS  
 Rwsy 9, 27: Standard.

NOTE: Chart not to scale.

(CONTINUED ON FOLLOWING PAGE)

# ALEXANDRIA THREE DEPARTURE



## DEPARTURE ROUTE DESCRIPTION

TAKEOFF RUNWAY 9: Climb on heading 089° to 2000 before turning. When entering controlled airspace, climb on assigned heading for RADAR vectors to RAECN INT. Maintain ATC assigned altitude. Expect filed altitude 10 minutes after departure, thence. . . .

TAKEOFF RUNWAY 27: Climb on heading 269° to 2200 before turning. When entering controlled airspace, climb on assigned heading for RADAR vectors to RAECN INT. Maintain ATC assigned altitude. Expect filed altitude 10 minutes after departure, thence. . . .

. . . .on IAH R-028 to VELCO INT, cross VELCO INT at or above 10000, then right turn on LFK R-082 and AEX R-265 to AEX VORTAC.

CRESTVIEW TRANSITION (AEX3.CEW): From over AEX VORTAC on AEX R-085 and MCB R-266 to MCB VORTAC, then on MCB R-095 and CEW R-277 to CEW VORTAC.

MC COMB TRANSITION (AEX3.MCB): From over AEX VORTAC on AEX R-085 and MCB R-266 to MCB VORTAC.

SC-5, 28 NOV 2024 to 26 DEC 2024

SC-5, 28 NOV 2024 to 26 DEC 2024