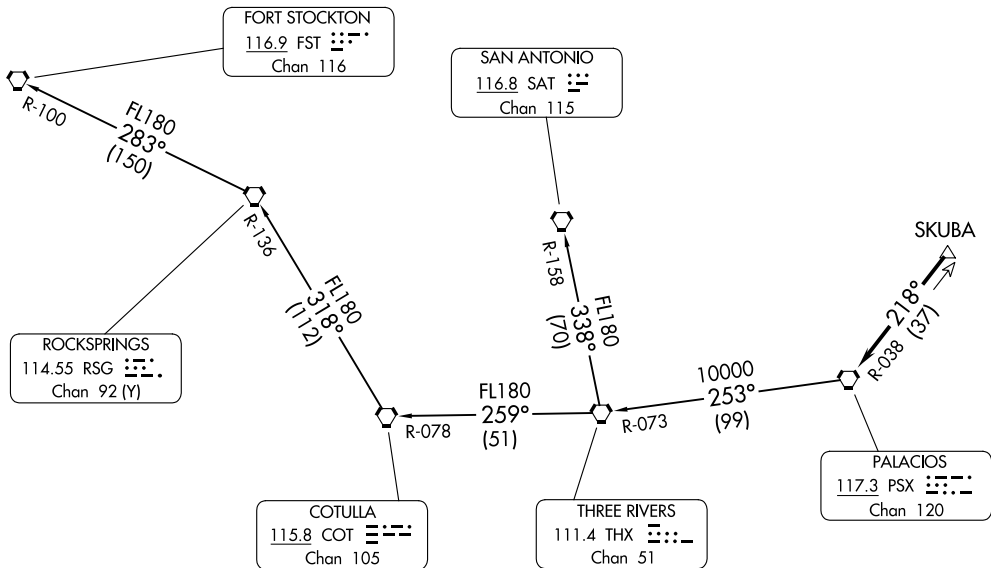
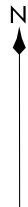


RADAR and DME required.

TOP ALTITUDE:
ASSIGNED BY ATC

TAKEOFF MINIMUMS

Rwy 8, 26: Standard.
Rwy 14, 32: Standard - NA at night.



(CONTINUED ON FOLLOWING PAGE)

NOTE: Chart not to scale.

PALACIOS THREE DEPARTURE
(PSX3, PSX) 03NOV22

BAYTOWN, TEXAS
RWJ AIRPARK (541T)

PALACIOS THREE DEPARTURE
(PSX3, PSX) 24137

AL-6674 (FAA)

BAYTOWN, TEXAS
RWJ AIRPARK (541T)

PALACIOS THREE DEPARTURE



DEPARTURE ROUTE DESCRIPTION

TAKEOFF ALL RUNWAYS: When entering controlled airspace, climb on assigned heading for RADAR vectors to SKUBA. Maintain ATC assigned altitude. Expect filed altitude 10 minutes after departure, thence. . . .

. . . .on PSX R-038 to PSX VORTAC.

FORT STOCKTON TRANSITION (PSX3.FST): From over PSX VORTAC on PSX R-253 and THX R-073 to THX VORTAC, then on THX R-259 and COT R-078 to COT VORTAC, then on COT R-318 and RSG R-136 to RSG VORTAC, then on RSG R-283 and FST R-100 to FST VORTAC.

SAN ANTONIO TRANSITION (PSX3.SAT): From over PSX VORTAC on PSX R-253 and THX R-073 to THX VORTAC, then on SAT R-158 to SAT VORTAC.

SC-5, 28 NOV 2024 to 26 DEC 2024

SC-5, 28 NOV 2024 to 26 DEC 2024