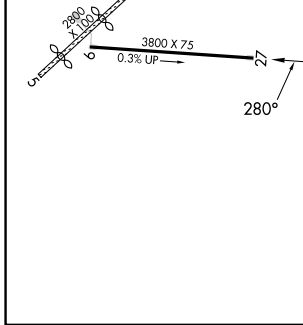
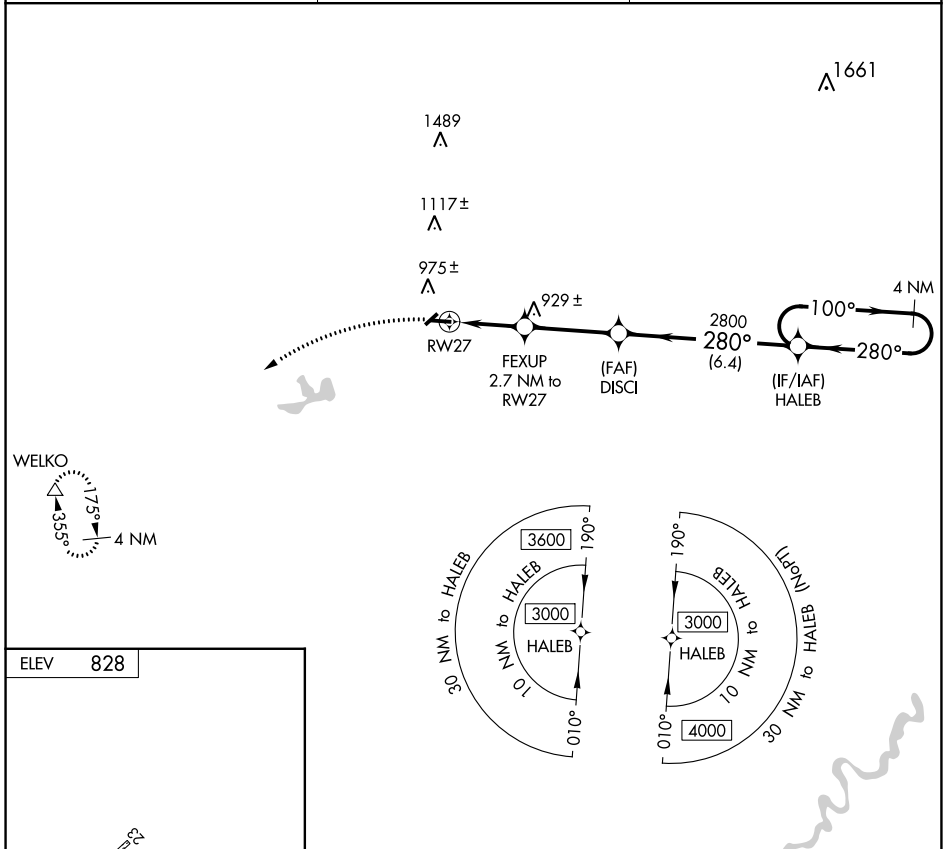


APP CRS 280°	Rwy ldg TDZE Apt Elev	N/A N/A 828
------------------------	-----------------------------	--

RNAV (GPS)-A

BALDWIN MUNI (7D3)

<p>▼ Circling NA to Rwys 5 and 23. DME/DME RNP-0.3 NA. ▲ NA Helicopter visibility reduction below 1 SM NA. Use Fremont Muni altimeter setting. Procedure NA at night.</p>	<p>MISSED APPROACH: Climbing left turn to 3600 direct WELKO and hold.</p>	
<p>FFX AWOS-3 118.775</p>	<p>MINNEAPOLIS CENTER 120.85 322.35</p>	<p>CTAF 122.9</p>



3600	WELKO	4 NM Holding Pattern											
RW27	FEXUP 2.7 NM to RW27	DISCI											
1720	2800	3000											
2.7 NM	3.4 NM	6.4 NM											
<table border="1"> <thead> <tr> <th>CATEGORY</th> <th>A</th> <th>B</th> <th>C</th> <th>D</th> </tr> </thead> <tbody> <tr> <td>■ CIRCLING</td> <td>1400-1</td> <td>572 (600-1)</td> <td>1400-1½ 572 (600-1½)</td> <td>NA</td> </tr> </tbody> </table>	CATEGORY	A	B	C	D	■ CIRCLING	1400-1	572 (600-1)	1400-1½ 572 (600-1½)	NA			
CATEGORY	A	B	C	D									
■ CIRCLING	1400-1	572 (600-1)	1400-1½ 572 (600-1½)	NA									

EC-1, 28 NOV 2024 to 26 DEC 2024

EC-1, 28 NOV 2024 to 26 DEC 2024