

LOC/DME I-DXU <b>111.9</b> Chan 56	APP CRS <b>353°</b>	Rwy Idg TDZE Apt Elev <b>16000</b> <b>5327</b> <b>5434</b>
--	------------------------	---

# ILS RWY 34L (CAT II & III)

DENVER INTL (DEN)

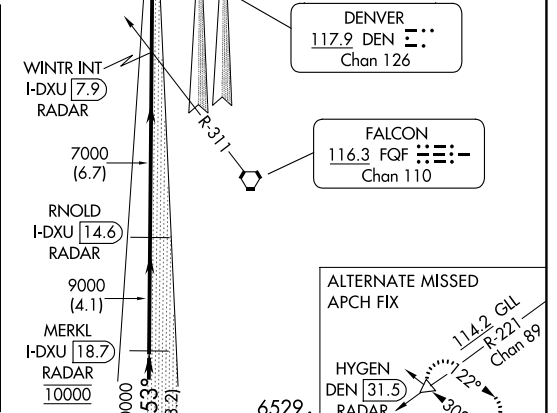
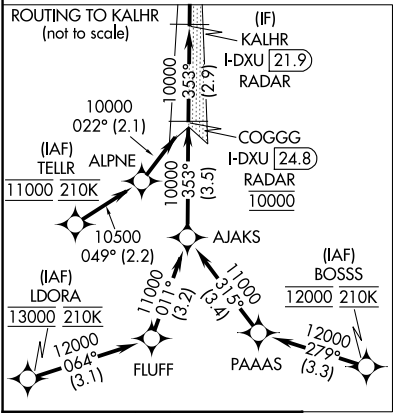
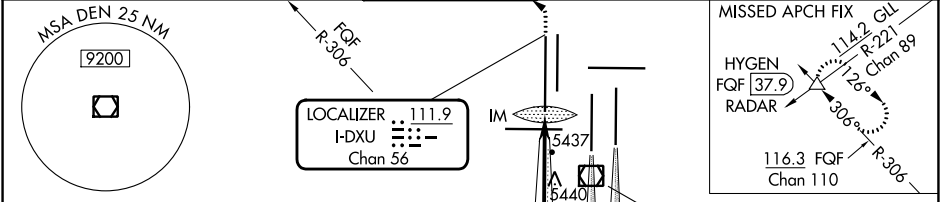
RNAV-1 GPS or RADAR required for procedure entry. From LDORA, BOSSA, TELLR: RNAV-1 GPS required. DME or RADAR required.

**CAUTION:** CAT II: RVR 1000 authorized with specific OPSPEC, MSPEC, or LOA approval and use of autoland or HUD to touchdown. Simultaneous approach authorized with Rwy 35L/R.

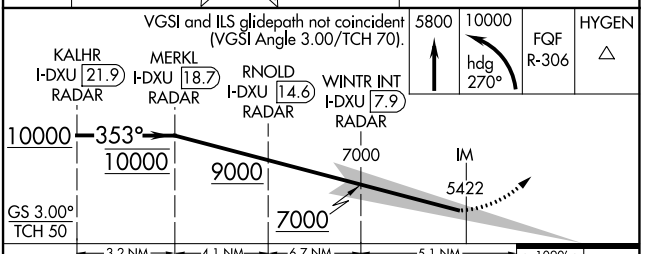
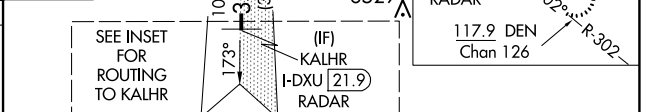
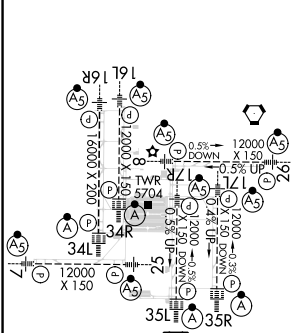
ALSF-2

MISSED APPROACH: Climb to 5800 then climbing left turn to 10000 on heading 270° and FQF VORTAC R-306 to HYGEN/FQF 37.9 DME/RADAR and hold.

D-ATIS <b>125.6 379.9 (ARR)</b> <b>134.025 (DEP)</b>	DENVER APP CON <b>119.3 307.3 (N)</b> <b>120.35 379.3 (S)</b>	DENVER TOWER <b>135.3 351.95</b>	GND CON <b>121.35 379.175 (W)</b> <b>121.85 377.1 (E)</b>	CLNC DEL <b>118.75</b>	CPDLC
--	---	-------------------------------------	---	---------------------------	-------



ELEV 5434	D	TDZE 5327
-----------	---	-----------



CATEGORY	A	B	C	D
S-ILS 34L	CAT II RA 108/12 100 DA 5427			
S-ILS 34L	CAT III RVR 03			

## CATEGORY II & III ILS - SPECIAL AIRCREW & AIRCRAFT CERTIFICATION REQUIRED

SW-1, 28 NOV 2024 to 26 DEC 2024

SW-1, 28 NOV 2024 to 26 DEC 2024