

APP CRS	Rwy Idg	12000
082°	TDZE	5352
	Apt Elev	5434


RNAV (RNP) Z RWY 7

DENVER INTL (DEN)

RNP AR APCH.

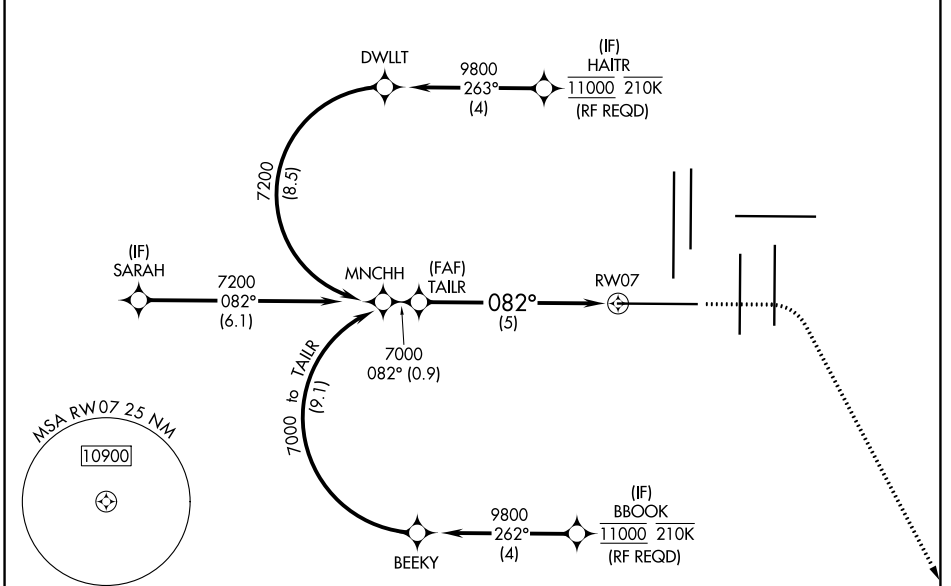
Simultaneous approach authorized. For uncompensated Baro-VNAV systems, procedure NA below -23°C or above 54°C. For inop ALS, increase RNP 0.15 all Cats visibility to RVR 4000, and increase RNP 0.30 all Cats visibility to RVR 6000.

MALSR



MISSED APPROACH: Climb to 5900 then climbing right turn to 10000 direct CIDMU and track 081° to LIMEX and hold.

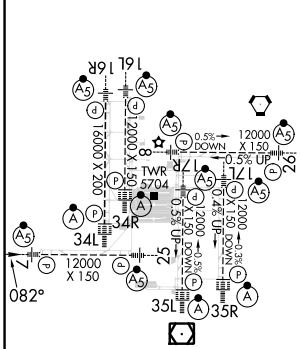
D-ATIS 125.6 379.9 (ARR) 134.025 (DEP)	DENVER APP CON 119.3 307.3 (N) 120.35 379.3 (S)	DENVER TOWER 128.75 273.55	GND CON 121.35 379.175 (W) 121.85 377.1 (E)	CLNC DEL 118.75	CPDLC
--	---	--------------------------------------	---	---------------------------	-------



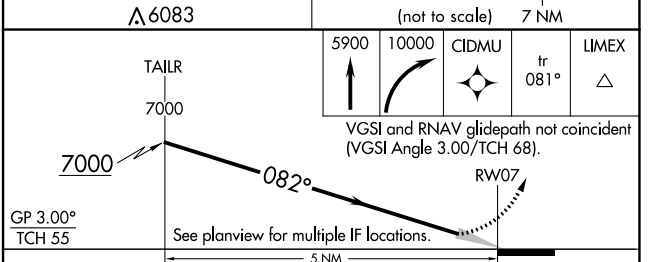
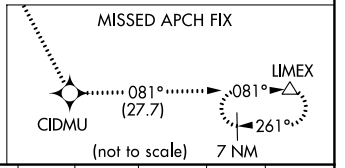
SW-1, 28 NOV 2024 to 26 DEC 2024

SW-1, 28 NOV 2024 to 26 DEC 2024

ELEV 5434	D	TDZE 5352
-----------	----------	-----------



HIRL all Rwys
TDZ/CL Rwys 7, 16L, 16R, 17R,
26, 34L, 34R, 35L, 35R



GP 3.00°				
TCH 55				
CATEGORY	A	B	C	D
RNP 0.15 DA	5602/24		250 (200-½)	
RNP 0.30 DA	5753/40		401 (400-¾)	

AUTHORIZATION REQUIRED