

APP CRS	Rwy Idg	3300
066°	TDZE	115
	Apt Elev	115

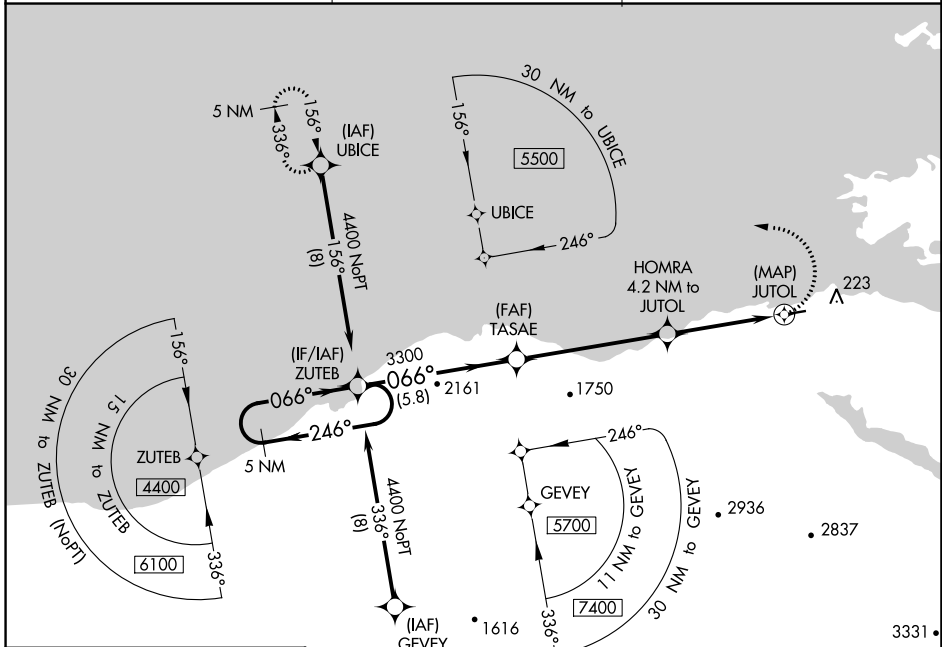
RNAV (GPS) RWY 7

KOKHANOK (9K2) (PFKK)

NA Rwy 7 helicopter visibility reduction below 1 SM NA.
DME/DME RNP-0.3 NA. Use Iliamna altimeter setting.
Procedure NA at night.

MISSED APPROACH: Climbing left turn to 4400 direct UBICE and hold, continue climb-in-hold to 4400.

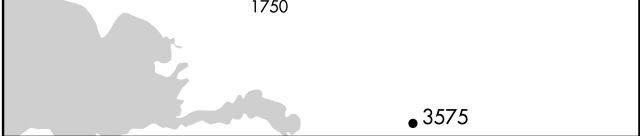
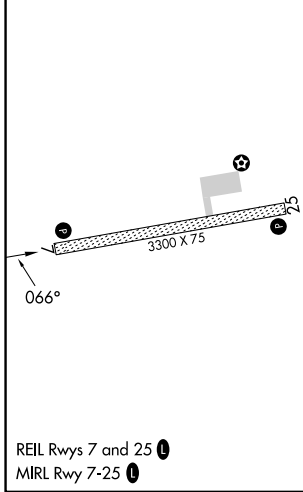
III/PAIL ASOS 134.95	ANCHORAGE CENTER 118.8	CTAF 122.9
--------------------------------	----------------------------------	----------------------



AK, 31 OCT 2024 to 26 DEC 2024

AK, 31 OCT 2024 to 26 DEC 2024

ELEV 115	TDZE 115
----------	----------



5 NM Holding Pattern	ZUTEB	Visual Segment - Obstacles.	4400	UBICE
4400	← 246°	→ 066°	3300	1560
	5.8 NM	5.5 NM	4.2 NM	0.2 NM

CATEGORY	A	B	C	D
LNAV MDA	820-1	705 (800-1)	820-2	705 (800-2)
CIRCLING	1040-1¼ 925 (1000-1¼)	1100-1½ 985 (1000-1½)	1100-3	985 (1000-3)