

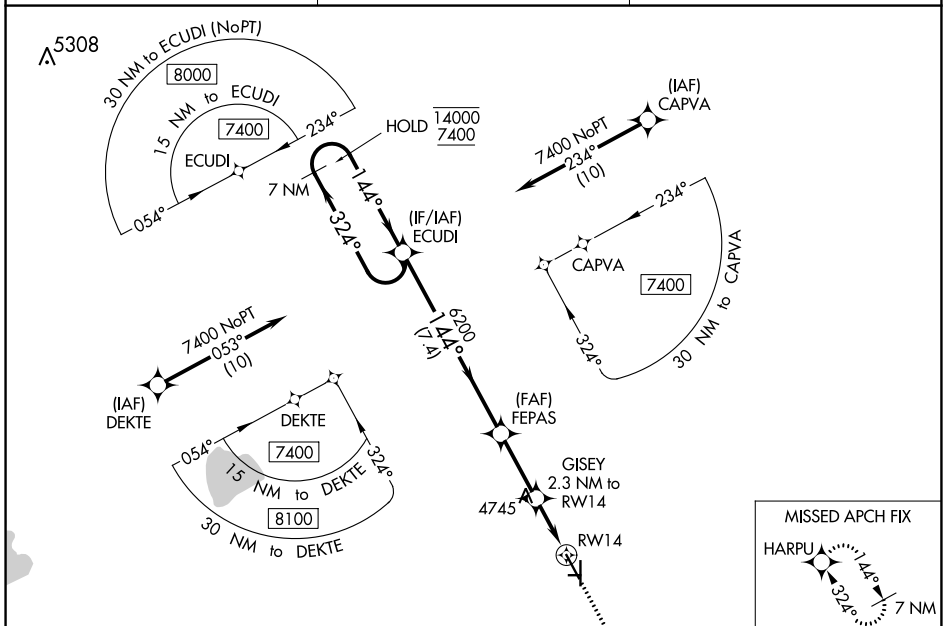
WAAS CH <b>86330</b> <b>W14A</b>	APP CRS <b>144°</b>	Rwy ldg TDZE Apt Elev	<b>5731</b> <b>4595</b> <b>4595</b>
----------------------------------------	------------------------	-----------------------------	-------------------------------------------

# RNAV (GPS) RWY 14

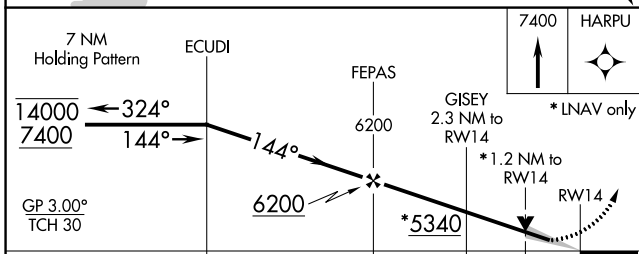
FORT MORGAN MUNI (FMM)

RNP APCH.	MISSED APPROACH: Climb to 7400 direct HARPUS and hold.
<p>Circling Rwy 8, 17, 26, 32, 35 NA at night.</p>	

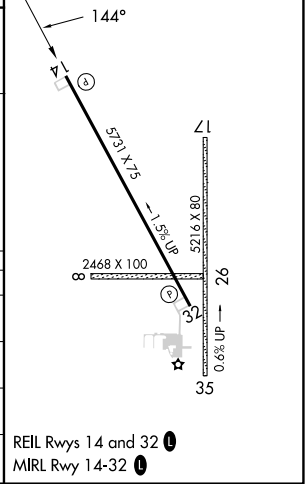
AWOS-3PT <b>132.95</b>	DENVER CENTER <b>118.475 225.4</b>	UNICOM <b>123.05 (CTAF) 0</b>
---------------------------	---------------------------------------	----------------------------------



ELEV <b>4595</b>	TDZE <b>4595</b>
------------------	------------------



CATEGORY	A	B	C	D
LPV DA		4845-1	250 (300-1)	
LNAV/VNAV DA		4845-1	250 (300-1)	
LNAV MDA	5000-1	405 (500-1)	5000-1½	405 (500-1½)
CIRCLING	5040-1 445 (500-1)	5080-1 485 (500-1)	5120-1½ 525 (600-1½)	5340-2½ 745 (800-2½)



SW-1, 28 NOV 2024 to 26 DEC 2024

SW-1, 28 NOV 2024 to 26 DEC 2024