

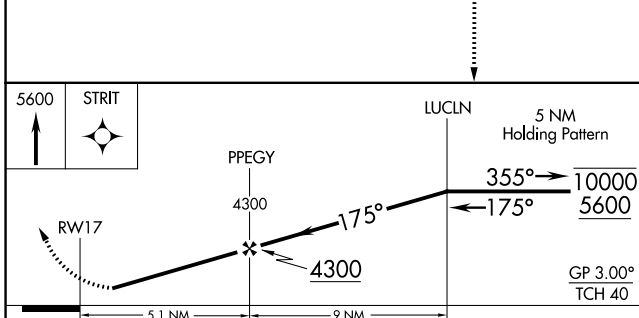
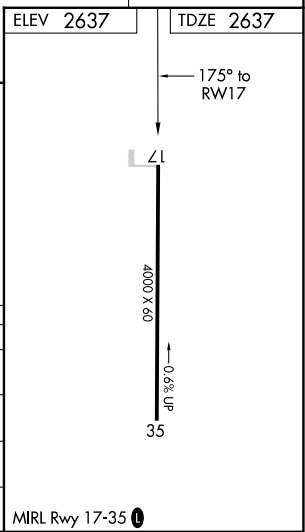
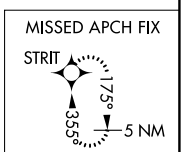
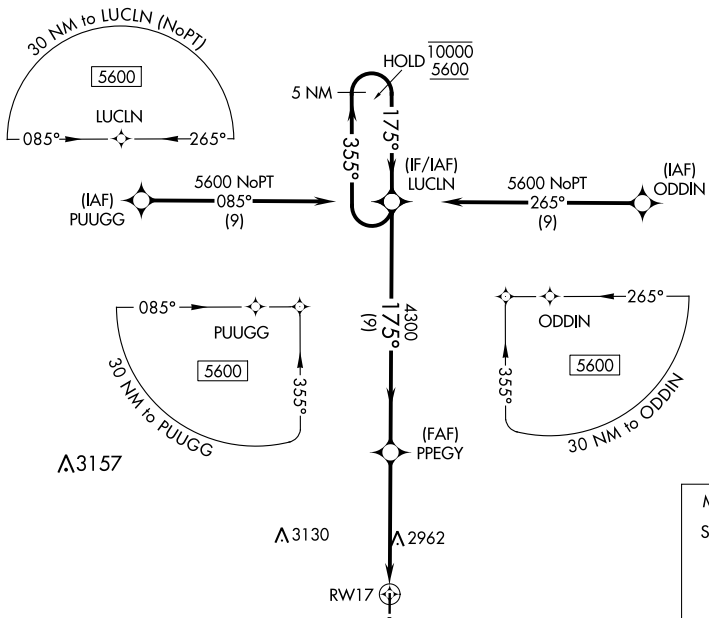
WAAS CH 81944 W17A	APP CRS 175°	Rwy Idg TDZE 2637 Apt Elev 2637	4000
----------------------------------------	------------------------	-----------------------------------------------------	-------------

RNAV (GPS) RWY 17

GOVE COUNTY (1QK)

RNP APCH-GPS.	MISSED APPROACH: Climb to 5600 direct STRIT and hold.
<p>V Rwy 17 helicopter visibility reduction below 3/4 SM NA.</p> <p>A NA Baro-VNAV NA. Use Hill City altimeter setting.</p>	

HLC ASOS 118.425	DENVER CENTER 132.7 226.675	CTAF 122.90
----------------------------	---------------------------------------	-----------------------



CATEGORY	A	B	C	D
LPV DA	3007-1	370 (400-1)		NA
LNAV/VNAV DA	3430-2½	793 (800-2½)		NA
LNAV MDA	3340-1	703 (800-1)		NA
C CIRCLING	3340-1 703 (800-1)	3400-1 763 (800-1)		NA

MIRL Rwy 17-35 **0**

NC-2, 28 NOV 2024 to 26 DEC 2024

NC-2, 28 NOV 2024 to 26 DEC 2024