

RNAV 1 - DME/DME/IRU or GPS.
RADAR required.

**TOP ALTITUDE:
ASSIGNED BY ATC**

BORRN SIX DEPARTURE (RNAV)
(BORRN6.BORRN) 30NOV23

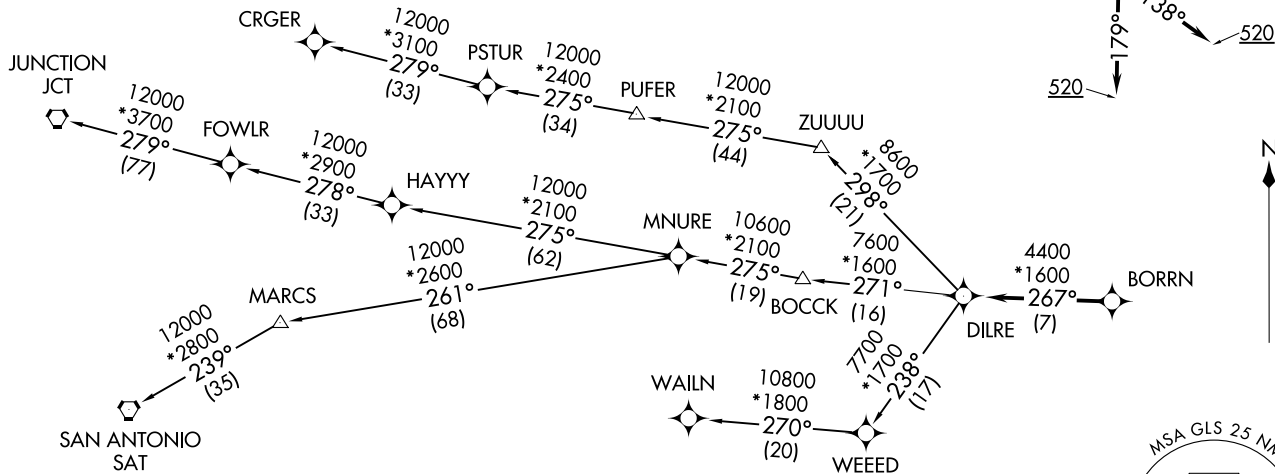
SCHOLES INTL AT GALVESTON (GLS)
GALVESTON, TEXAS

BORRN SIX DEPARTURE (RNAV)
(BORRN6.BORRN) 23334

AL-164 (FAA)
SCHOLES INTL AT GALVESTON (GLS)
GALVESTON, TEXAS

ASOS
123.95
CLNIC DEL (When twr closed)
135.35
GND CON
118.625
GALVESTON TOWER★
120.575 (CTAF)
HOUSTON DEP CON
134.45 284.0

TAKEOFF MINIMUMS
Rwys 14, 18, 32, 36:
Standard with minimum
climb of 500'/NM to 520.



NOTE: CRGER-TRANSITION ATC assigned only for aircraft departing 54T, AXH, EFD, GLS, HPY, IWS, LBX, LVJ, SGR, TME, TØØ, T41.

(NARRATIVE ON FOLLOWING PAGE)

NOTE: Chart not to scale.

BORRN SIX DEPARTURE (RNAV)



DEPARTURE ROUTE DESCRIPTION

TAKEOFF RUNWAY 14: Climb on heading 138° to 520, for RADAR vectors to BORRN, thence. . . .

TAKEOFF RUNWAY 18: Climb on heading 179° to 520, for RADAR vectors to BORRN, thence. . . .

TAKEOFF RUNWAY 32: Climb on heading 318° to 520, for RADAR vectors to BORRN, thence. . . .

TAKEOFF RUNWAY 36: Climb on heading 359° to 520, for RADAR vectors to BORRN, thence. . . .

. . . .on track 267° to DILRE, then on (transition). Maintain ATC assigned altitude. Expect filed altitude 10 minutes after departure.

CRGER TRANSITION (BORRN6.CRGER)

JUNCTION TRANSITION (BORRN6.JCT)

MNURE TRANSITION (BORRN6.MNURE)

SAN ANTONIO TRANSITION (BORRN6.SAT)

WAILN TRANSITION (BORRN6.WAILN)

SC-5, 26 DEC 2024 to 23 JAN 2025

SC-5, 26 DEC 2024 to 23 JAN 2025