

WAAS CH <b>56421</b> <b>W10A</b>	APP CRS <b>102°</b>	Rwy Idg <b>4184</b> TDZE <b>430</b> Apt Elev <b>437</b>
--	------------------------	---

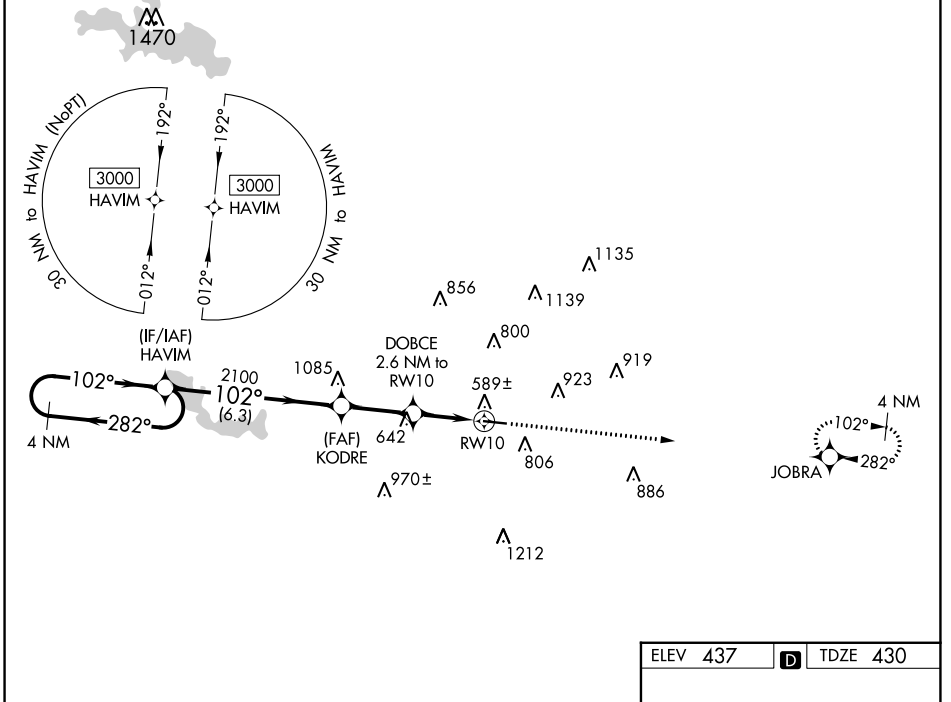
# RNAV (GPS) RWY 10

MACON DOWNTOWN (MAC)

**Baro-VNAV NA. DME/DME RNP-0.3 NA. Use Middle Georgia altimeter setting, when not received, use Robbins AFB altimeter setting and increase LPV DA to 726 feet, increase LNAV/VNAV DA to 833 feet and increase all MDA 20 feet.**

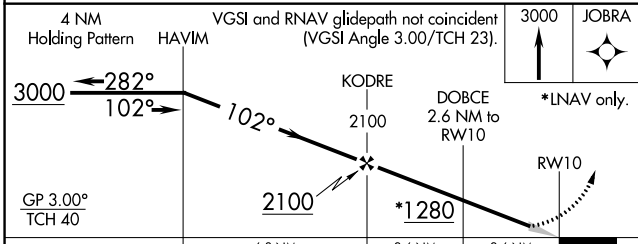
**MISSED APPROACH:**  
Climb to 3000 direct JOBRA and hold.

MCN ASOS <b>120.775</b>	ATLANTA APP CON * <b>124.2 279.6</b>	UNICOM <b>123.0 (CTAF) 0</b>
----------------------------	---	---------------------------------



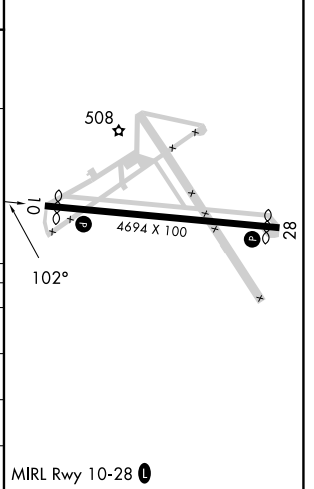
SE-4, 26 DEC 2024 to 23 JAN 2025

SE-4, 26 DEC 2024 to 23 JAN 2025



ELEV 437	<b>D</b>	TDZE 430
----------	----------	----------

CATEGORY	A	B	C	D
LPV DA	712-1 282 (300-1)			
LNAV/VNAV DA	819-1 $\frac{3}{8}$ 389 (400-1 $\frac{3}{8}$ )			
LNAV MDA	880-1 450 (500-1)	880-1 $\frac{3}{8}$ 450 (500-1 $\frac{3}{8}$ )		
<b>C</b> CIRCLING	1200-1 763 (800-1)	1320-2 $\frac{3}{4}$ 883 (900-2 $\frac{3}{4}$ )		1480-3 1043 (1100-3)



MIRL Rwy 10-28 **0**