

WAAS CH 86421 W28A	APP CRS 282°	Rwy Idg 4184 TDZE 430 Apt Elev 437
--	------------------------	---

RNAV (GPS) RWY 28

MACON DOWNTOWN (MAC)

RNP APCH-GPS.

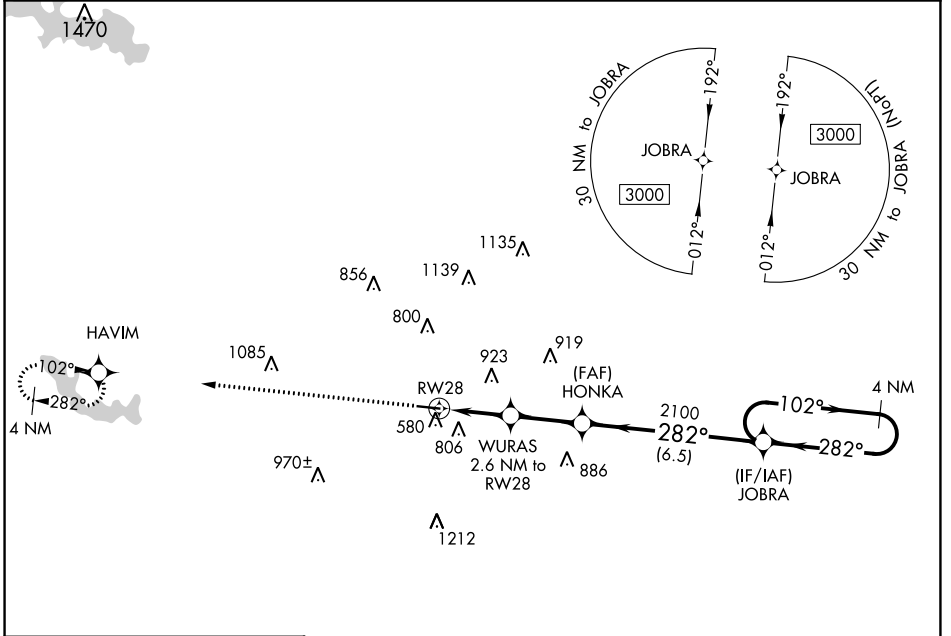
⚠ Baro-VNAV NA. Rwy 28 helicopter visibility reduction below $\frac{3}{4}$ SM NA.
⚠ NA Use Middle Georgia altimeter setting, when not received, use Robbins AFB altimeter setting and increase LPV DA to 726 feet, increase LNAV/VNAV DA to 1063 feet and increase all MDAs 20 feet.

MISSED APPROACH: Climb to 3000 direct HAVIM and hold.

MCN ASOS
120.775

ATLANTA APP CON*
124.2 279.6

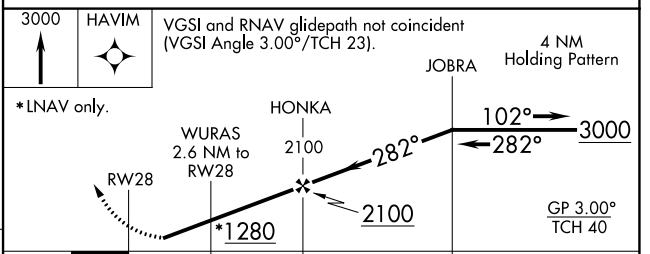
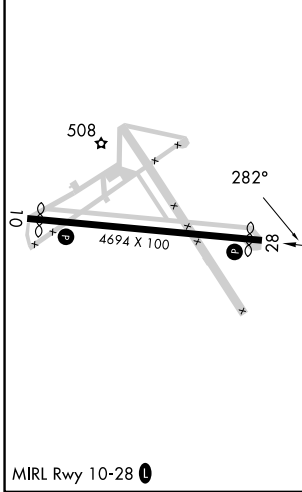
UNICOM
123.0 (CTAF) **U**



SE-4, 26 DEC 2024 to 23 JAN 2025

SE-4, 26 DEC 2024 to 23 JAN 2025

ELEV 437	D	TDZE 430
-----------------	----------	-----------------



CATEGORY	A	B	C	D
LPV DA		712-1	282 (300-1)	
LNAV/VNAV DA		1049-2½	619 (700-2½)	
LNAV MDA	980-1	550 (600-1)	980-1⅝	550 (600-1⅝)
C CIRCLING	1200-1	763 (800-1)	1320-2¾ 883 (900-2¾)	1480-3 1043 (1100-3)