

(SNIDR1.SNIDR) 24025

SNIDR ONE DEPARTURE (RNAV)

AL-371 (FAA)

KELLY FLD (SKF)
SAN ANTONIO, TEXAS

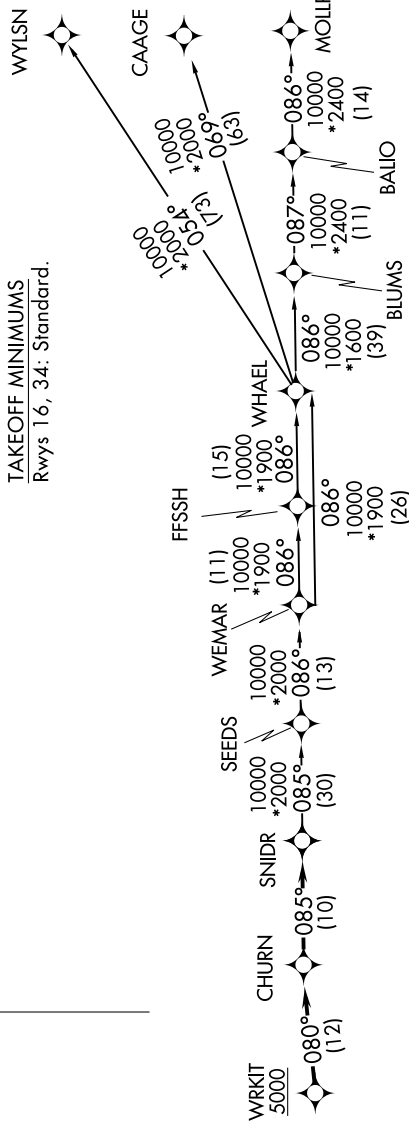
SC-3, 26 DEC 2024 to 23 JAN 2025

**TOP ALTITUDE:
ASSIGNED BY ATC**

RNAV 1 - DME/DME IRU or GPS.
RADAR required.

SAN ANTONIO DEP CON
123.7 290.225
ATIS
120.45 273.5
GND CON
121.8 289.4
KELLY TOWER
124.3 322.35

TAKEOFF MINIMUMS
Rwys 16, 34: Standard.

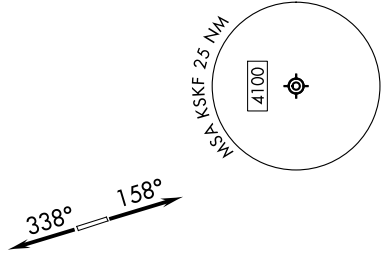


DEPARTURE ROUTE DESCRIPTION

TAKEOFF RUNWAY 16: Climb on heading 158° or as assigned by ATC, for vectors to WRKIT, thence . . .
TAKEOFF RUNWAY 34: Climb on heading 338° or as assigned by ATC, for vectors to WRKIT, thence . . .

. . . on track 080° to CHURN, then on track 085° to SNIDR, then on transition. Maintain ATC assigned altitude.

- BLUMS TRANSITION (SNIDR1.BLUMS)
- CAAGE TRANSITION (SNIDR1.CAAGE)
- FFSSH TRANSITION (SNIDR1.FFSSH)
- MOLLR TRANSITION (SNIDR1.MOLLR)
- SEEDS TRANSITION (SNIDR1.SEEDS)
- WEMAR TRANSITION (SNIDR1.WEMAR)
- WHAEL TRANSITION (SNIDR1.WHAEL)
- WYLSN TRANSITION (SNIDR1.WYLSN)



NOTE: Chart not to scale.

SNIDR ONE DEPARTURE (RNAV)
(SNIDR1.SNIDR) 25JAN24

SAN ANTONIO, TEXAS
KELLY FLD (SKF)

SC-3, 26 DEC 2024 to 23 JAN 2025