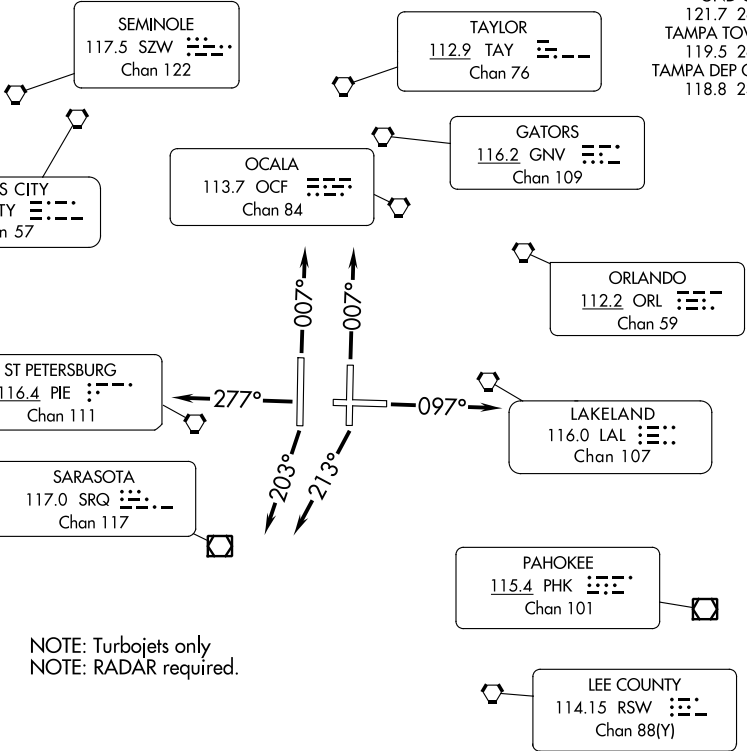


# LGTVG THREE DEPARTURE

**TOP ALTITUDE:  
6000**

D-ATIS DEP  
128.475  
CLNC DEL  
133.6  
CPDLC  
GND CON  
121.7 269.4  
TAMPA TOWER  
119.5 269.4  
TAMPA DEP CON  
118.8 239.3



NOTE: Turbojets only  
NOTE: RADAR required.

### TAKEOFF MINIMUMS:

Rwys 1L/R, 19R, 28: Standard.

Rwy 10: Standard with minimum climb of 245' per NM to 900.

Rwy 19L: 200-1/2 or standard with minimum climb of 220' per NM to 300, or alternatively, with standard takeoff minimums and a normal 200' per NM climb gradient, takeoff must occur no later than 1500' prior to departure end of runway.

NOTE: Chart not to scale.



### DEPARTURE ROUTE DESCRIPTION

- TAKEOFF RUNWAYS 1L/R:** Climb heading 007°, thence. . . .
- TAKEOFF RUNWAY 10:** Climb heading 097°, thence. . . .
- TAKEOFF RUNWAY 19L:** Climb heading 213°, thence. . . .
- TAKEOFF RUNWAY 19R:** Climb heading 203°, thence. . . .
- TAKEOFF RUNWAY 28:** Climb heading 277°, thence. . . .

. . . . expect RADAR vectors to join filed/assigned route. Maintain 6000. Expect clearance to filed altitude/flight level within 10 minutes after departure.

# LGTVG THREE DEPARTURE

SE-3, 26 DEC 2024 to 23 JAN 2025

SE-3, 26 DEC 2024 to 23 JAN 2025