

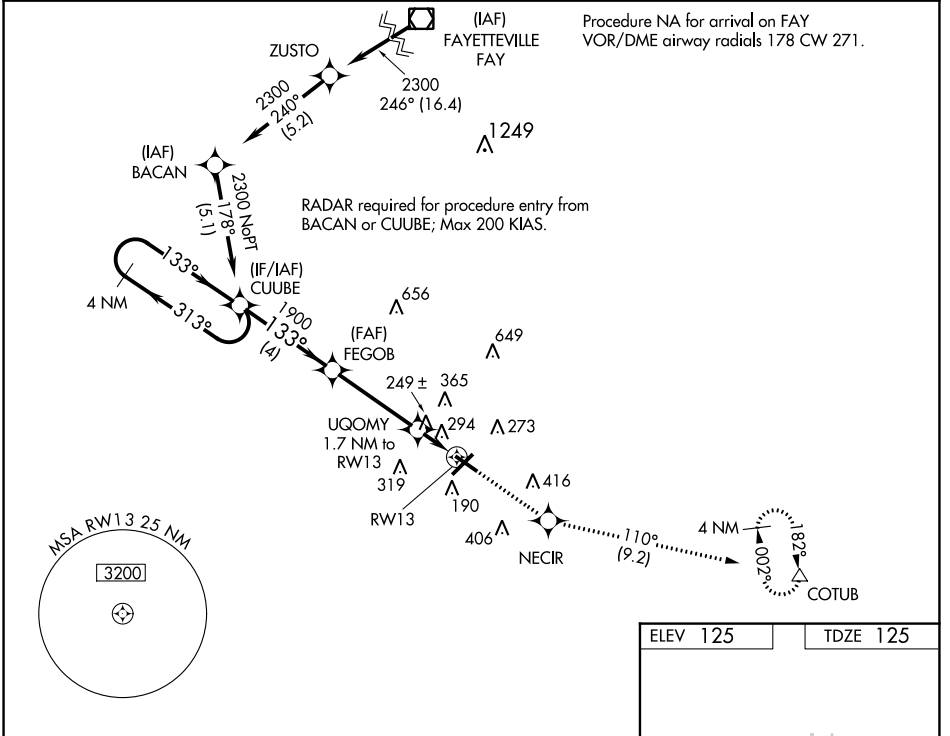
WAAS CH 61221 W13A	APP CRS 133°	Rwy Idg TDZE Apt Elev	5003 125 125
--	------------------------	-----------------------------	---

RNAV (GPS) RWY 13

LUMBERTON RGNL (LBT)

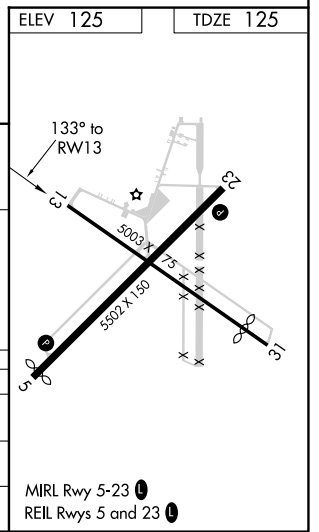
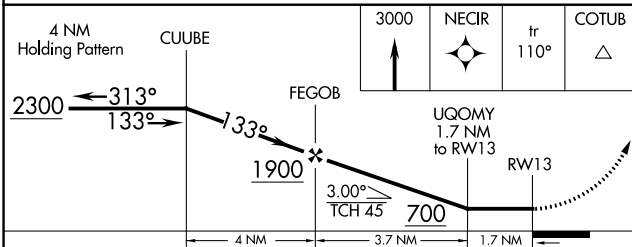
RNP APCH-GPS.	MISSED APPROACH: Climb to 3000 direct NECIR and on track 110° to COTUB and hold.
<p>▼ Rwy 13 helicopter visibility reduction below 1 SM NA. When local altimeter setting not received, use Maxton altimeter setting; increase all MDAs 60 feet; increase LP Cat C and Circling Cat C visibility ¼ SM and LNAV Cat C ½ SM. Straight-in Rwy 13 NA at night, Circling Rwy 13, 31 NA at night.</p>	

ASOS 134.775	FAYETTEVILLE APP CON 133.0 290.25	UNICOM 122.8 (CTAF)
------------------------	---	-------------------------------



SE-2, 26 DEC 2024 to 23 JAN 2025

SE-2, 26 DEC 2024 to 23 JAN 2025



CATEGORY	A	B	C	D
LP MDA	500-1 375 (400-1)			NA
LNAV MDA	600-1	475 (500-1)	600-1 $\frac{3}{8}$ 475 (500-1 $\frac{3}{8}$)	NA
CIRCLING	660-1	535 (600-1)	720-1 $\frac{1}{2}$ 595 (600-1 $\frac{1}{2}$)	NA