

TACAN RWY 6

TACAN Chan	EDF 81	APCH CRS 062°	Rwy ldg TDZE 175 Arprt Elev 213
------------	--------	---------------	------------------------------------

[USAF]

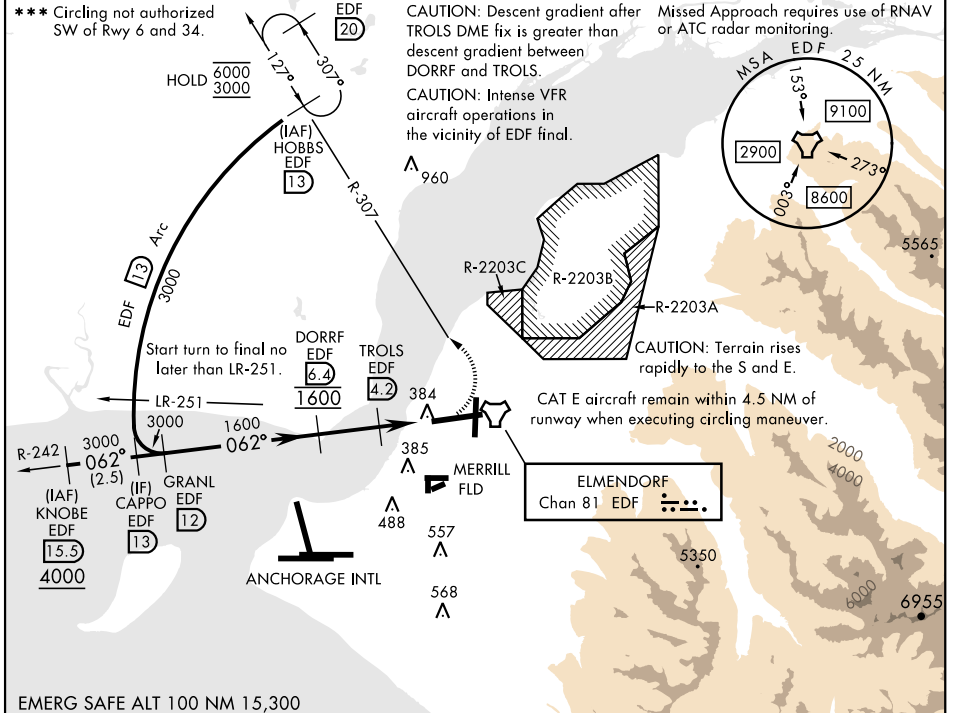
ELMENDORF AFB (PAED)

▼ * When ALS inop, increase CAT AB RVR to 55, vis to 1 mile, CAT CDE vis to 1 1/2 miles.
 ** Circling not authorized south of Rwy 6-24.



MISSED APPROACH: Climbing left turn to 3000 via EDF R-307 to HOBBS and hold.

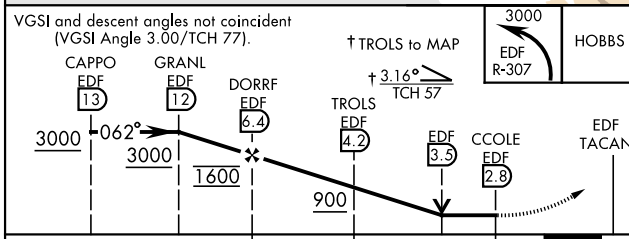
ATIS ★ 124.3 273.5	ANCHORAGE APP CON 118.6 290.5 123.8 259.3	(N) (S)	TOWER 127.2 352.05	GND CON 121.8 275.8	CLNC DEL 128.8 306.925	PAR
-----------------------	---	------------	-----------------------	------------------------	---------------------------	-----



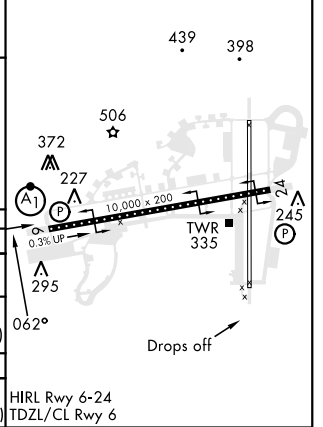
AK, 26 DEC 2024 to 20 FEB 2025

AK, 26 DEC 2024 to 20 FEB 2025

EMERG SAFE ALT 100 NM 15,300



ELEV 213	TDZE 175
----------	----------



CATEGORY	A	B	C	D	E
S-6 *	640/24	465 (500-1/2)	640/50	465	(500-1)
** CIRCLING	840-1	627 (700-1)	840-1 3/4 627 (700-1 3/4)	840-2 627 (700-2)	940-2 1/2 727 (800-2 1/2)
RWY 34 CIRCLING MINIMUMS					
*** CIRCLING	840-1	627 (700-1)	920-2 707 (800-2)	1020-2 1/2 807 (900-2 1/2)	1480-3 1267 (1300-3)

TACAN RWY 6