

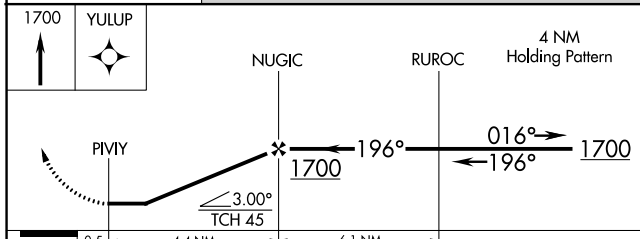
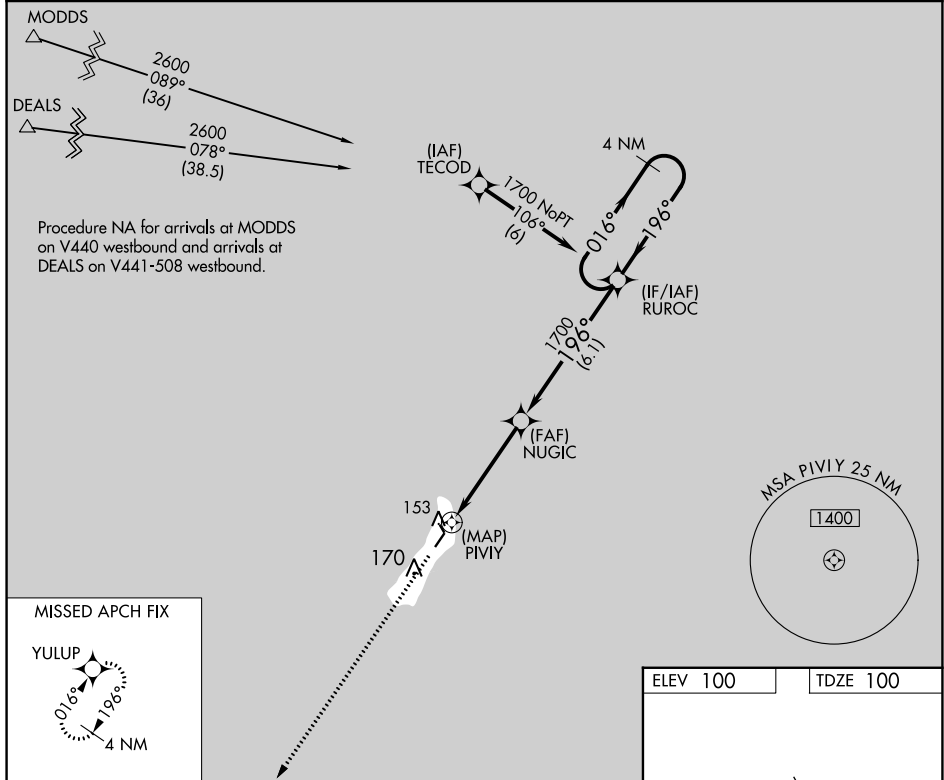
WAAS CH 42627 W20A	APP CRS 196°	Rwy Idg TDZE Apt Elev	3158 100 100
--	------------------------	-----------------------------	---

RNAV (GPS) RWY 20

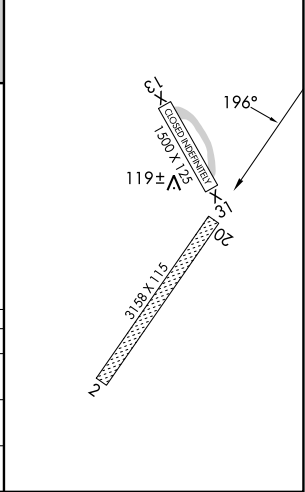
MIDDLETON ISLAND (MDO) (PAMD)

▼ DME/DME RNP-0.3 NA. Procedure NA at night. Helicopter visibility reduction below 1 SM NA. MISSED APPROACH: Climb to 1700 direct YULUP and hold.

AWOS-3P 135.725	ANCHORAGE CENTER 133.6 269.4	JUNEAU RADIO 122.05	CTAF 122.9
---------------------------	--	-------------------------------	----------------------



ELEV 100	TDZE 100
----------	----------



CATEGORY	A	B	C	D
LP MDA	420-1 320 (400-1)			NA
LNAV MDA	660-1	560 (600-1)	660-1½ 560 (600-1½)	NA
CIRCLING	660-1	560 (600-1)	660-1½ 560 (600-1½)	NA

AK, 26 DEC 2024 to 20 FEB 2025

AK, 26 DEC 2024 to 20 FEB 2025