

APP CRS	Rwy Idg	4500
053°	TDZE	29
	Apt Elev	29

RNAV (GPS) RWY 5

POINT LAY LRRS (PIZ)(PPIZ)

33 -33°C DME/DME RNP- 0.3 NA. When local altimeter setting not received, procedure NA.

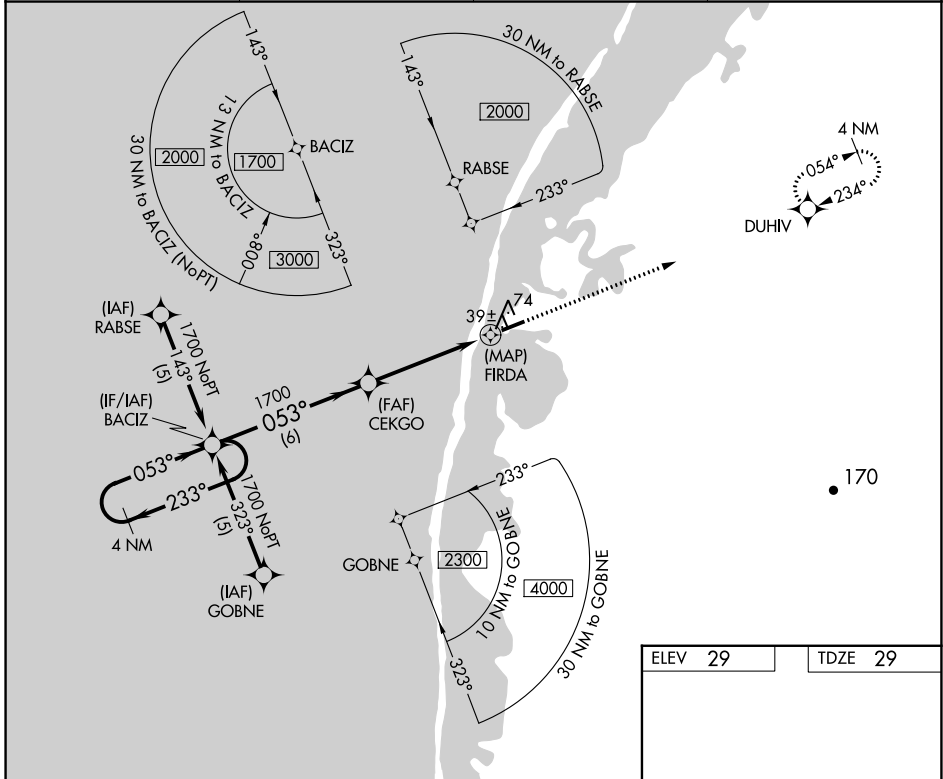
MISSED APPROACH: Climb to 2000 direct DUHIV and hold.

AWOS-3P
135.65

ANCHORAGE CENTER
119.65 363.25

BARROW RADIO
122.4

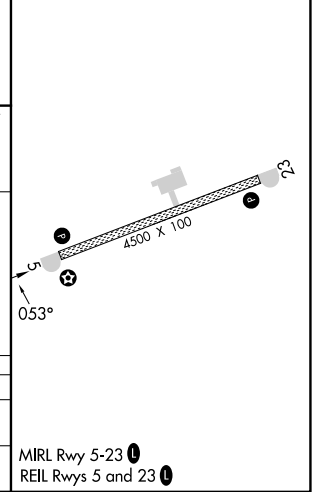
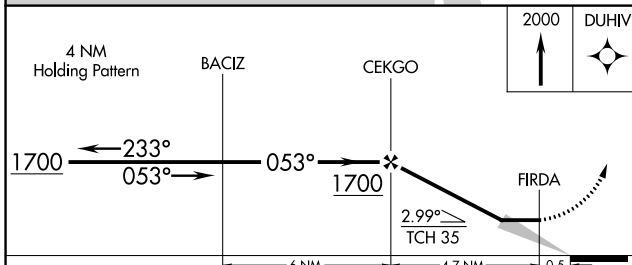
CTAF
122.8



AK, 26 DEC 2024 to 20 FEB 2025

AK, 26 DEC 2024 to 20 FEB 2025

ELEV	29	TDZE	29
------	-----------	------	-----------



CATEGORY	A	B	C	D
LNVA MDA	380-1	351 (400-1)	380-1¼ 351 (400-1¼)	NA
CIRCLING	440-1 411 (500-1)	480-1 451 (500-1)	480-1½ 451 (500-1½)	NA

MIRL Rwy 5-23
REIL Rws 5 and 23