

WAAS CH <b>65911</b> <b>W26A</b>	APP CRS <b>256°</b>	Rwy Idg TDZE Apt Elev	<b>5423</b> <b>1871</b> <b>1882</b>
--	------------------------	-----------------------------	---

# RNAV (GPS) RWY 26

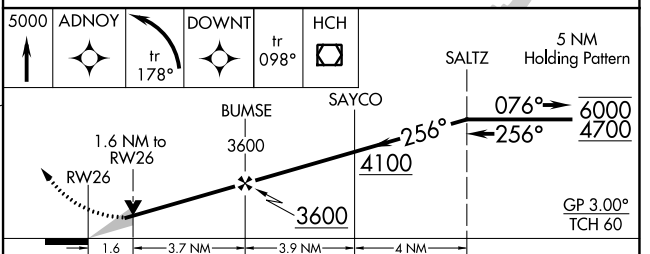
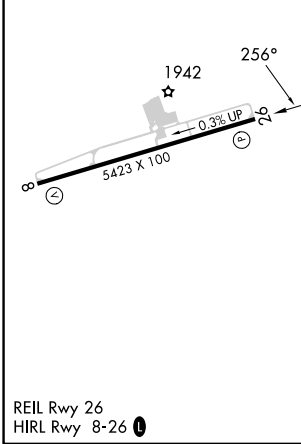
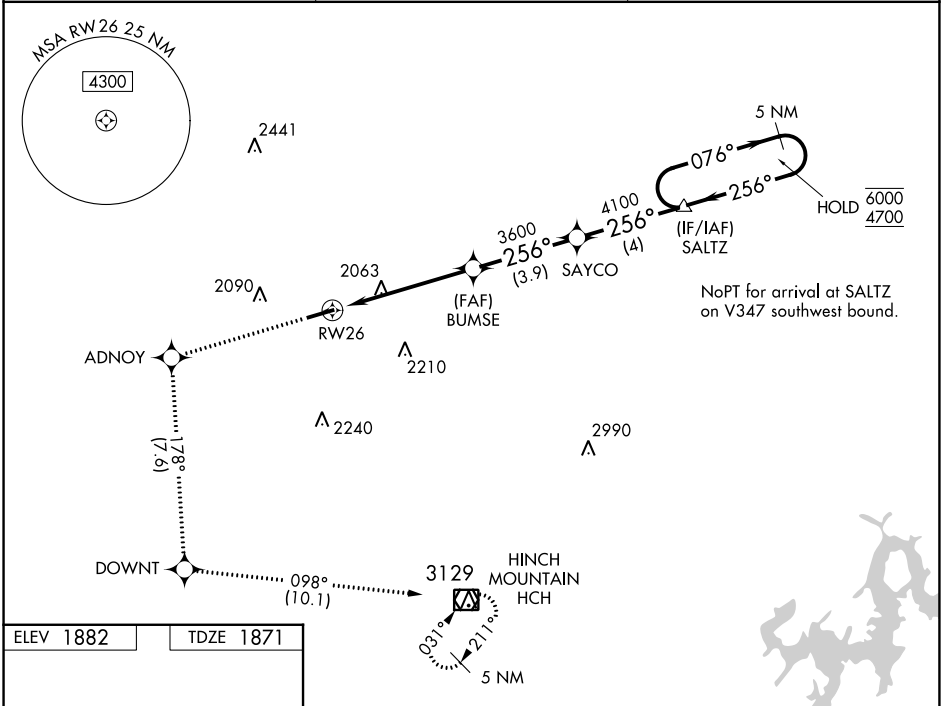
CROSSVILLE MEML-WHITSON FLD (CSV)

RNP APCH - GPS.

**▽**  
**▲** For uncompensated Baro-VNAV systems, LNAV/VNAV NA below -11°C or above 54°C.

MISSED APPROACH: Climb to 5000 direct ADNOY and left turn on track 178° to DOWNT and on track 098° to HCH VOR/DME and hold.

ASOS <b>120.625</b>	ATLANTA CENTER <b>133.6 254.3</b>	UNICOM <b>122.7 (CTAF) 0</b>
------------------------	--------------------------------------	---------------------------------



CATEGORY	A	B	C	D
LPV DA		2121- <sup>3</sup> / <sub>4</sub>	250 (300- <sup>3</sup> / <sub>4</sub> )	
LNAV/VNAV DA		2170- <sup>7</sup> / <sub>8</sub>	299 (300- <sup>7</sup> / <sub>8</sub> )	
LNAV MDA	2440-1	569 (600-1)	2440-1 <sup>5</sup> / <sub>8</sub>	569 (600-1 <sup>5</sup> / <sub>8</sub> )
<b>C</b> CIRCLING	2440-1	558 (600-1)	2440-1 <sup>5</sup> / <sub>8</sub>	2540-2 658 (700-2)

SE-1, 26 DEC 2024 to 23 JAN 2025

SE-1, 26 DEC 2024 to 23 JAN 2025