

WAAS CH 70615 W27A	APP CRS 275°	Rwy Idg TDZE Apt Elev	6520 974 981
--	------------------------	-----------------------------	---

RNAV (GPS) RWY 27L

OAKLAND COUNTY INTL (PTK)

RNP APCH.

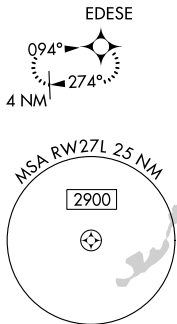
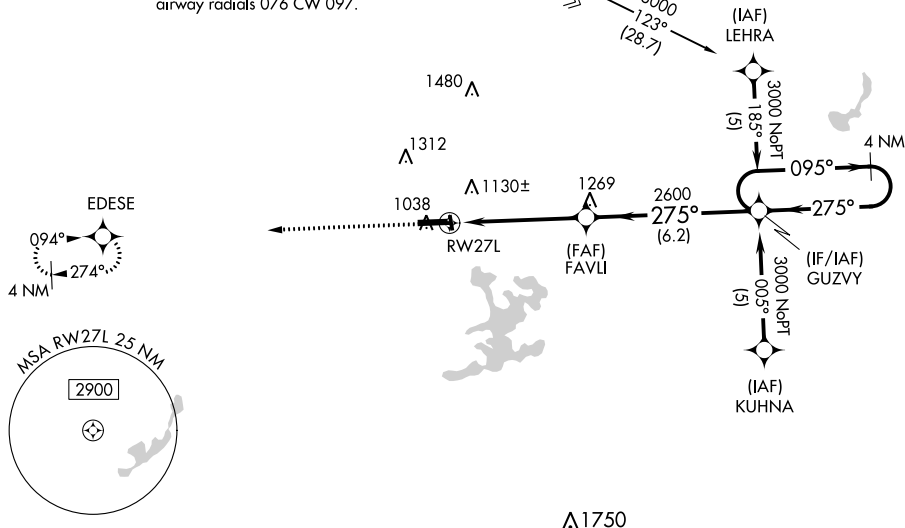
- ▼ For uncompensated Baro-VNAV systems, LNAV/VNAV NA below -16°C (4°F) or above 47°C (116°F).
- ▲ Baro-VNAV and VDP NA when using Coleman A Young altimeter setting. Circling Rwy 9L, 36 NA at night. When local altimeter setting not received, use Coleman A Young Muni altimeter setting and increase LPV DA to 1279 feet, LNAV/VNAV DA to 1568 and all MDA 120 feet, increase LPV and LNAV/VNAV all cats visibility ½ SM, LNAV Cat C/D, and Circling Cat C/D visibility ½ SM.

MISSED APPROACH:
Climb to 3000 direct
EDESE and hold.

ATIS 125.025	DETROIT APP CON 132.35 284.0	PONTIAC TOWER * 120.5 (CTAF) 0	GND CON 121.9	CLNC DEL 118.25	UNICOM 122.95
------------------------	--	--	-------------------------	---------------------------	-------------------------

Procedure NA for arrivals on FNT VORTAC
airway radials 076 CW 097.

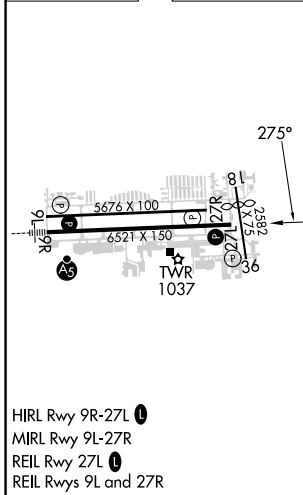
FLINT
FNT



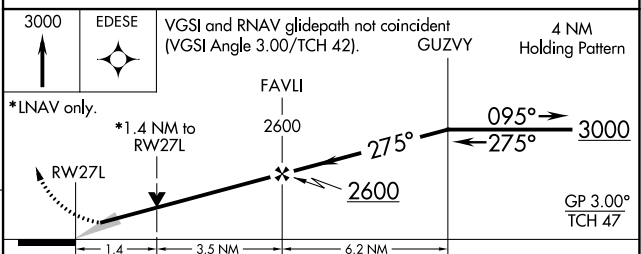
EC-1, 26 DEC 2024 to 23 JAN 2025

EC-1, 26 DEC 2024 to 23 JAN 2025

ELEV 981	D	TDZE 974
----------	----------	----------



- HIRL Rwy 9R-27L
- MIRL Rwy 9L-27R
- REIL Rwy 27L
- REIL Rwy 9L and 27R



CATEGORY	A	B	C	D
LPV DA	1174-3/4 200 (200-3/4)			
LNAV/VNAV DA	1463-1 3/4 489 (500-1 3/4)			
LNAV MDA	1460-1	486 (500-1)	1460-1 1/4 486 (500-1 1/4)	1460-1 1/2 486 (500-1 1/2)
C CIRCLING	1500-1 519 (600-1)	1540-1 559 (600-1)	1640-1 3/4 659 (700-1 3/4)	1640-2 659 (700-2)