

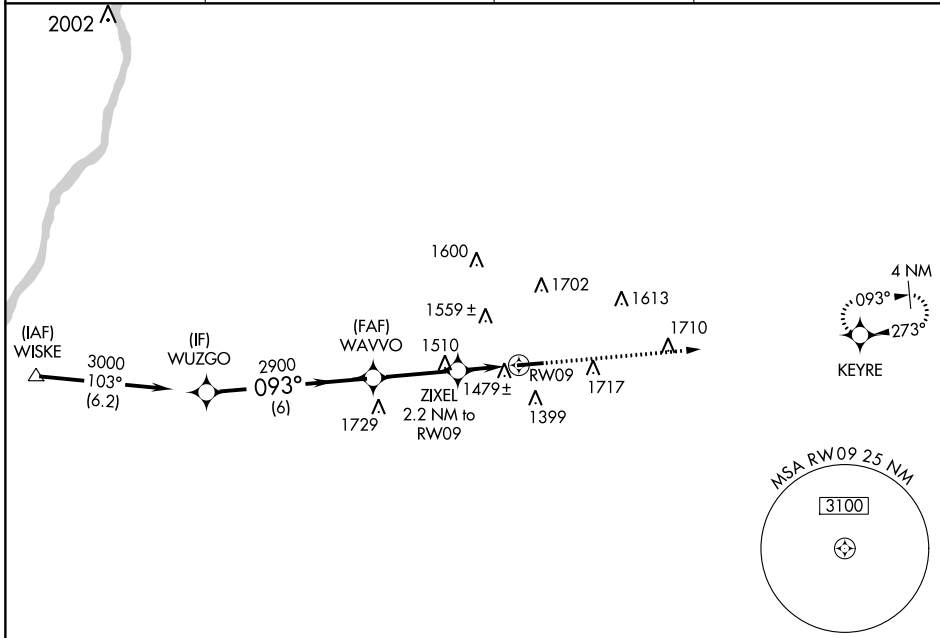
APP CRS	Rwy Idg	5004
093°	TDZE	1184
	Apt Elev	1184

RNAV (GPS) RWY 9

WASHINGTON COUNTY (A.F.J)

RNP APCH - GPS.	MISSED APPROACH: Climb to 3000 direct KEYRE and hold.
▼ Circling NA for Cat D N of Rwy 9-27. Rwy 9 helicopter visibility reduction below 1 SM NA.	

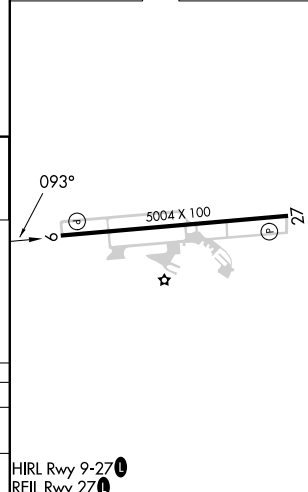
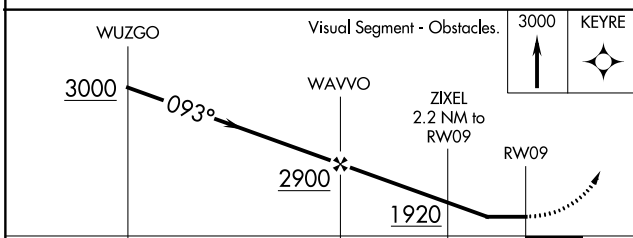
AWOS-3PT 119.175	PITTSBURGH APP CON 119.35 285.575	CLNC DEL 127.3	UNICOM 122.975 (CTAF) 0
----------------------------	---	--------------------------	-----------------------------------



NE-4, 26 DEC 2024 to 23 JAN 2025

NE-4, 26 DEC 2024 to 23 JAN 2025

ELEV 1184	TDZE 1184
-----------	-----------



CATEGORY	A	B	C	D
LNVA MDA	1740-1	556 (600-1)	1740-1 5/8	556 (600-1 5/8)
C CIRCLING	1800-1 616 (700-1)	2020-1 1/4 836 (900-1 1/4)	2020-2 1/2 836 (900-2 1/2)	2040-2 3/4 856 (900-2 3/4)