

APP CRS	Rwy Idg	<b>4300</b>
<b>289°</b>	TDZE	<b>737</b>
	Apt Elev	<b>737</b>

# RNAV (GPS) RWY 29

OWOSSO COMMUNITY (RNP)

RNP APCH:

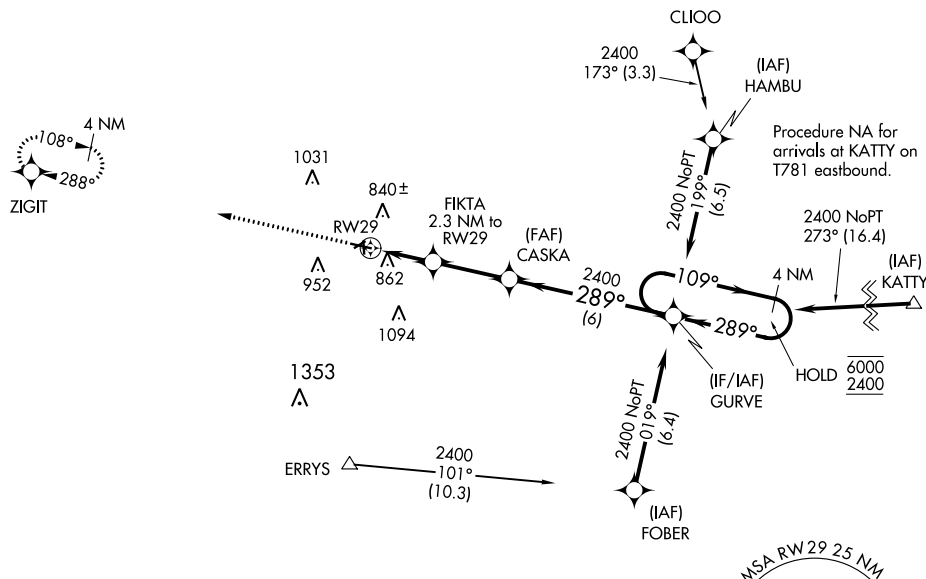
- Circling NA to Rwy's 6, 18, 24 and 36. Procedure NA at night. Rwy 29 helicopter visibility reduction below 3/4 SM NA.

MISSED APPROACH: Climb to 2600 direct ZIGIT and hold.

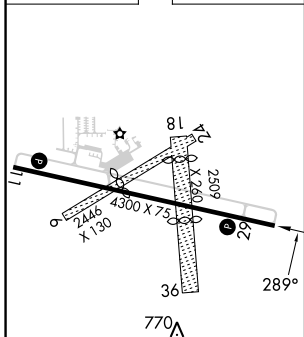
AWOS-3  
**118.025**

GREAT LAKES APP CON \*  
**128.55 257.9**

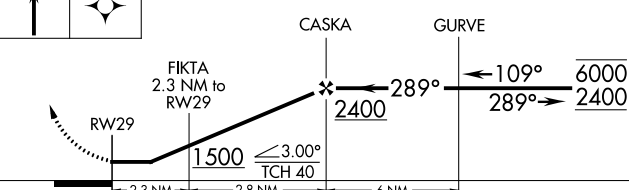
UNICOM  
**123.0 (CTAF)**



ELEV 737	TDZE 737
----------	----------



2600 ZIGIT VGSi and descent angles not coincident (VGSi Angle 4.00/TCH 20). 4 NM Holding Pattern



CATEGORY	A	B	C	D
LNAV MDA	1120-1	383 (400-1)	1120-1 1/8 383 (400-1 1/8)	NA
CIRCLING	1220-1 483 (500-1)	1260-1 523 (600-1)	1400-1 3/4 663 (700-1 3/4)	NA

REIL Rwy's 11 and 29   
MIRL Rwy 11-29

EC-1, 26 DEC 2024 to 23 JAN 2025

EC-1, 26 DEC 2024 to 23 JAN 2025