

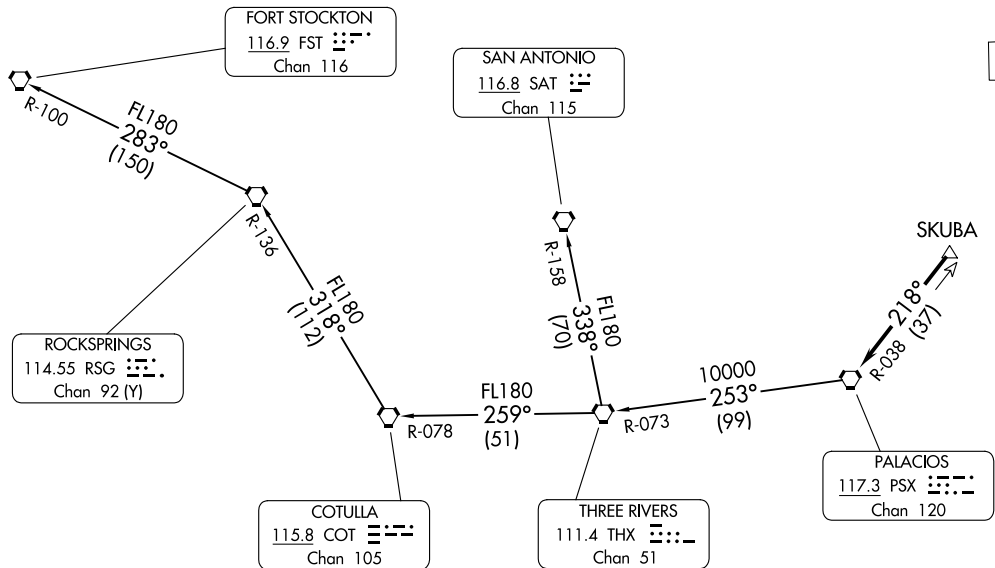
RADAR and DME required.

**TOP ALTITUDE:
ASSIGNED BY ATC**

TAKEOFF MINIMUMS

Rwys 17L, 35R: NA - Environmental.
Waterways 17, 35: NA - Air Traffic.
Rwys 17R, 35L: Standard.

ATIS
128.375
CLNC DEL
119.45
GND CON
121.8 239.0
HOOKS TOWER*
127.4 354.1 (EAST)
118.4 (CTAF) 354.1 (WEST)
HOUSTON DEP CON
119.7 281.4 (Rwys 35L/R)
123.8 257.7 (Rwys 17L/R)



NOTE: Chart not to scale.

(CONTINUED ON FOLLOWING PAGE)

PALACIOS THREE DEPARTURE
(PSX3.PSX) 03NOV22

DAVID WAYNE HOOKS MEML (DWH)
HOUSTON, TEXAS

(PSX3.PSX) 24137
PALACIOS THREE DEPARTURE

AL-5457 (FAA)
DAVID WAYNE HOOKS MEML (DWH)
HOUSTON, TEXAS

PALACIOS THREE DEPARTURE



DEPARTURE ROUTE DESCRIPTION

TAKEOFF ALL RUNWAYS: When entering controlled airspace, climb on assigned heading for RADAR vectors to SKUBA. Maintain ATC assigned altitude. Expect filed altitude 10 minutes after departure, thence

. . . . on PSX R-038 to PSX VORTAC.

FORT STOCKTON TRANSITION (PSX3.FST): From over PSX VORTAC on PSX R-253 and THX R-073 to THX VORTAC, then on THX R-259 and COT R-078 to COT VORTAC, then on COT R-318 and RSG R-136 to RSG VORTAC, then on RSG R-283 and FST R-100 to FST VORTAC.

SAN ANTONIO TRANSITION (PSX3.SAT): From over PSX VORTAC on PSX R-253 and THX R-073 to THX VORTAC, then on SAT R-158 to SAT VORTAC.

SC-5, 26 DEC 2024 to 23 JAN 2025

SC-5, 26 DEC 2024 to 23 JAN 2025