

WAAS CH 56434 W09A	APP CRS 094°	Rwy Idg TDZE Apt Elev	4000 1148 1150
--	------------------------	-----------------------------	---

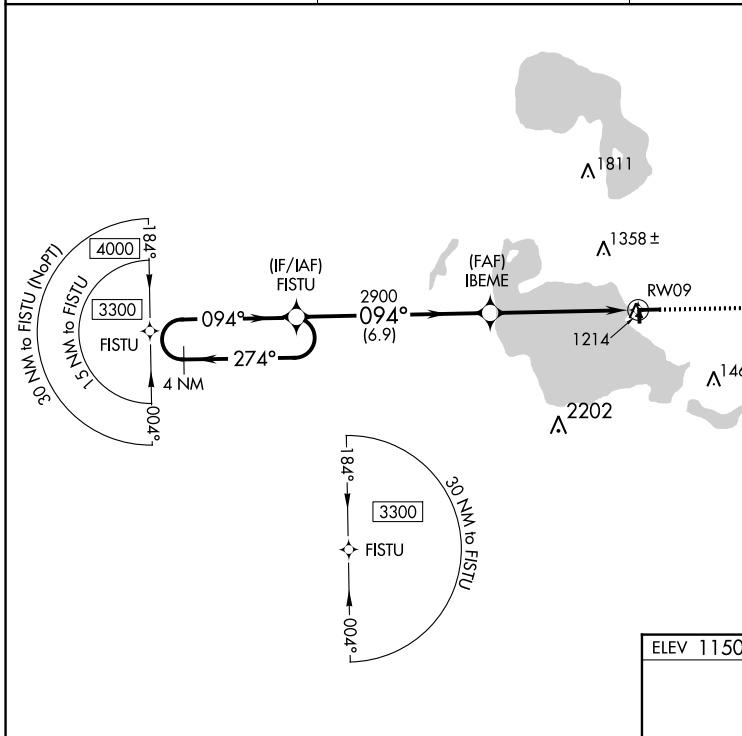
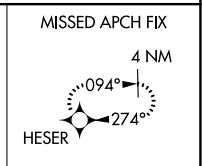
RNAV (GPS) RWY 9

ROSCOMMON COUNTY/BLODGETT MEML (HTL)

⚠ When local altimeter setting not received, use Gaylord altimeter setting and increase all MDAs 120 feet and visibility Cat C/D ½ SM. DME/DME RNP-0.3 NA. Procedure NA at night. Helicopter visibility reduction below 1 SM NA. Circling NA to Rwy 18 and 36.

MISSED APPROACH:
Climb to 3300 direct HESER and hold.

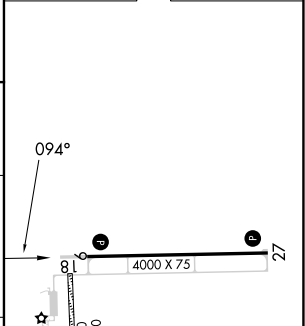
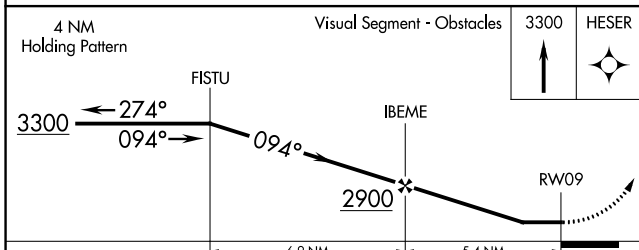
ASOS 118.05	MINNEAPOLIS CENTER 125.475 269.45	UNICOM 122.8 (CTAF) 0
-----------------------	---	---------------------------------



EC-1, 26 DEC 2024 to 23 JAN 2025

EC-1, 26 DEC 2024 to 23 JAN 2025

ELEV 1150	TDZE 1148
-----------	-----------



CATEGORY	A	B	C	D
LP MDA	1520-1		372 (400-1)	
LNAV MDA	1580-1	432 (500-1)	1580-1¼	432 (500-1¼)
CIRCLING	1600-1	450 (500-1)	1700-1½ 550 (600-1½)	1820-2 670 (700-2)

HIRL Rwy 9-27 **0**
REIL Rwy 9 and 27 **0**

RNAV (GPS) RWY 9