

WAAS CH <b>63225</b> <b>W09A</b>	APP CRS <b>092°</b>	Rwy Idg TDZE Apt Elev	<b>5505</b> <b>915</b> <b>925</b>
--	------------------------	-----------------------------	---

# RNAV (GPS) RWY 9

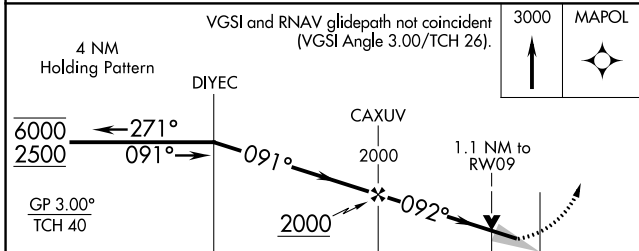
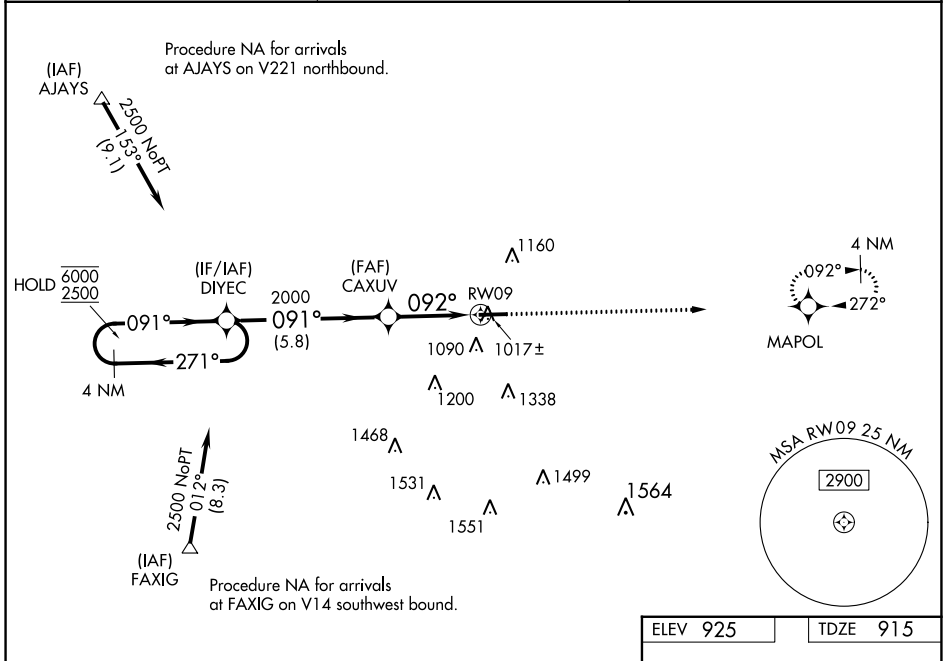
PORTLAND MUNI (PLD)

RNP APCH - GPS.

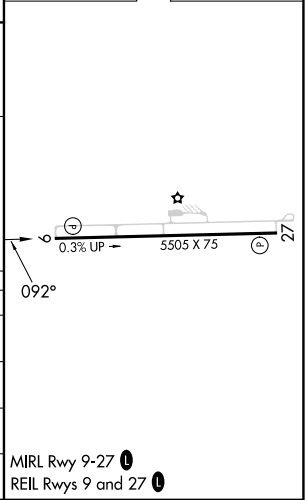
**⚠** Circling to Rwy 27 NA at night. For uncompensated Baro-VNAV systems, LNAV/VNAV NA below -16°C or above 54°C.

MISSED APPROACH:  
Climb to 3000 direct  
MAPOL and hold.

AWOS-3 <b>124.675</b>	FORT WAYNE APP CON <b>132.15</b> (SE/NE) <b>284.6</b> <b>127.2</b> (SW/NW) <b>284.6</b>	UNICOM <b>122.8</b> (CTAF) <b>0</b>
--------------------------	---	--



ELEV 925	TDZE 915
----------	----------



CATEGORY	A	B	C	D
LPV DA		1165-1	250 (300-1)	
LNAV/VNAV DA		1230-1	315 (400-1)	
LNAV MDA		1280-1	365 (400-1)	
CIRCLING	1480-1	555 (600-1)	1580-1¾ 655 (700-1¾)	1640-2¼ 715 (800-2¼)

EC-2, 26 DEC 2024 to 23 JAN 2025

EC-2, 26 DEC 2024 to 23 JAN 2025