

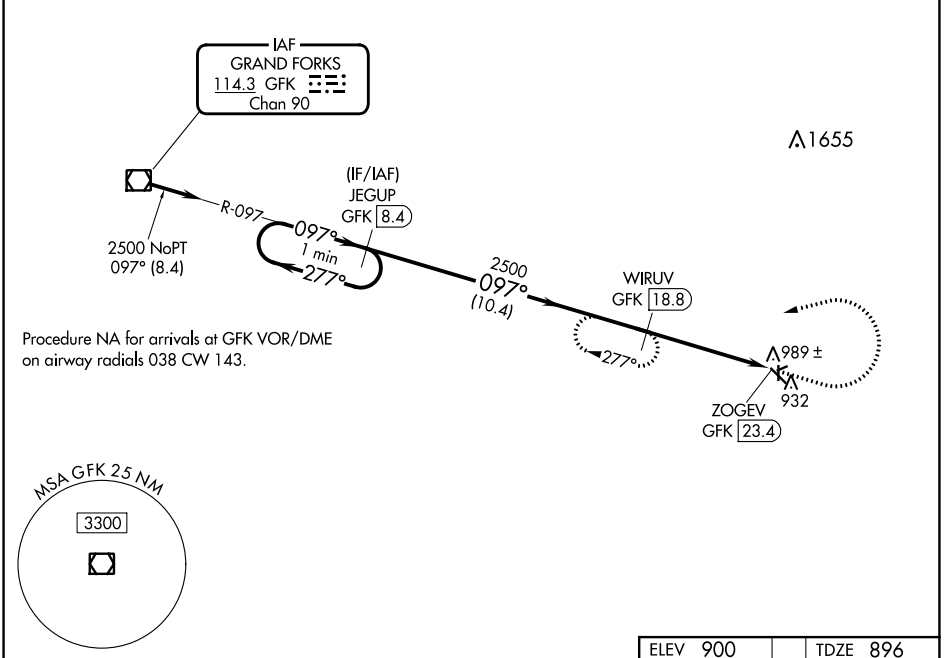
VOR/DME GFK <b>114.3</b> Chan <b>90</b>	APP CRS <b>097°</b>	Rwy Idg TDZE Apt Elev	<b>4300</b> <b>896</b> <b>900</b>
---	------------------------	-----------------------------	---

**VOR/DME RWY 13**  
CROOKSTON MUNI/KIRKWOOD FLD (CKN)

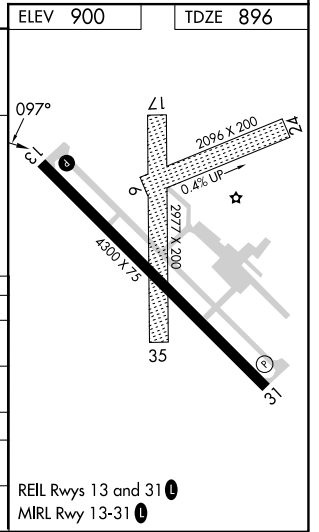
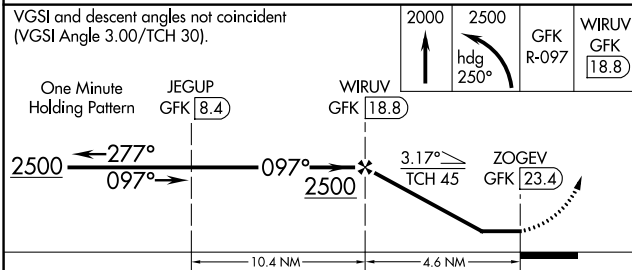
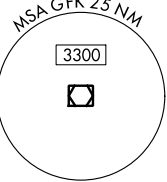
**⚠** When local altimeter setting not received, use Grand Forks Intl altimeter setting. Circling Rws 6, 24, 17, 35 NA at night.

**MISSED APPROACH:** Climb to 2000 then climbing left turn to 2500 heading 250° and GFK VOR/DME R-097 to WIRUV/GFK 18.8 DME and hold.

AWOS-3 <b>126.425</b>	GRAND FORKS APP CON* <b>118.1 318.1</b>	UNICOM <b>122.7 (CTAF) 0</b>
--------------------------	--	---------------------------------



Procedure NA for arrivals at GFK VOR/DME on airway radials 038 CW 143.



CATEGORY	A	B	C	D
S-13	1400-1	504 (500-1)	1400-1 <sup>3</sup> / <sub>8</sub> 504 (500-1 <sup>3</sup> / <sub>8</sub> )	NA
CIRCLING	1400-1	500 (500-1)	1480-1 <sup>1</sup> / <sub>2</sub> 580 (600-1 <sup>1</sup> / <sub>2</sub> )	NA
GRAND FORKS INTL ALTIMETER MINIMUMS				
S-13	1480-1	584 (600-1)	1480-1 <sup>3</sup> / <sub>4</sub> 584 (600-1 <sup>3</sup> / <sub>4</sub> )	NA
CIRCLING	1480-1	580 (600-1)	1560-1 <sup>3</sup> / <sub>4</sub> 660 (700-1 <sup>3</sup> / <sub>4</sub> )	NA

REIL Rws 13 and 31 0  
MIRL Rwy 13-31 0

NC-1, 26 DEC 2024 to 23 JAN 2025

NC-1, 26 DEC 2024 to 23 JAN 2025