

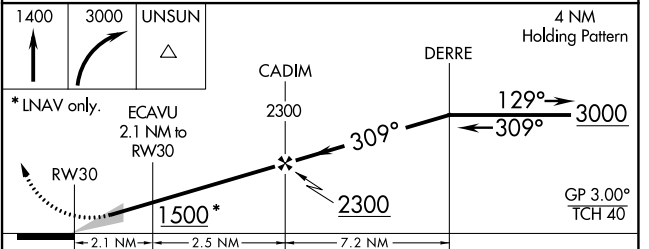
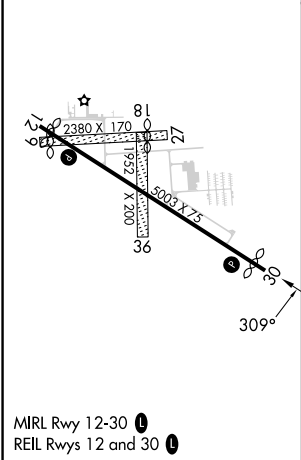
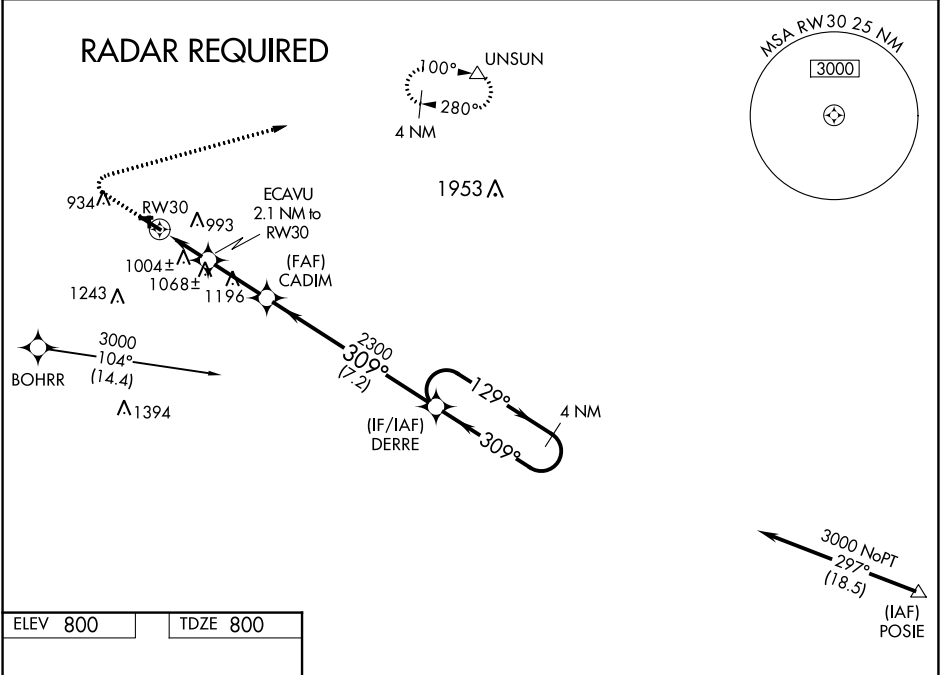
WAAS CH 86326 W30A	APP CRS 309°	Rwy Idg TDZE Apt Elev	4752 800 800
--	------------------------	-----------------------------	---

RNAV (GPS) RWY 30

HASTINGS (9D9)

RNP APCH.	MISSED APPROACH: Climb to 1400 then climbing right turn to 3000 direct UNSUN and hold.
⚠ NA Circling NA to Rwy 9, 18, 27 and 36. Baro-VNAV NA. Use Grand Rapids altimeter setting; when not received, use Ionia altimeter setting: increase LPV DA to 1131 feet; increase LNAV/VNAV DA to 1377; increase all MDAs 20 feet.	

GRR ASOS 118.725	GREAT LAKES APP CON* 128.4 257.6	UNICOM 123.075 (CTAF)
----------------------------	--	---------------------------------



CATEGORY	A	B	C	D
LPV DA	1116-1		316 (400-1)	NA
LNAV/VNAV DA	1362-1 $\frac{5}{8}$		562 (600-1 $\frac{5}{8}$)	NA
LNAV MDA	1300-1	500 (500-1)	1300-1 $\frac{3}{8}$ 500 (500-1 $\frac{3}{8}$)	NA
C CIRCLING	1380-1 580 (600-1)	1420-1 620 (700-1)	1440-1 $\frac{3}{4}$ 640 (700-1 $\frac{3}{4}$)	NA

EC-1, 26 DEC 2024 to 23 JAN 2025

EC-1, 26 DEC 2024 to 23 JAN 2025