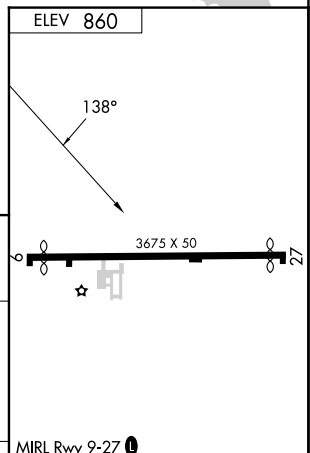
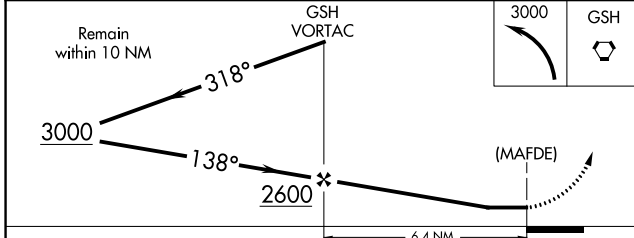
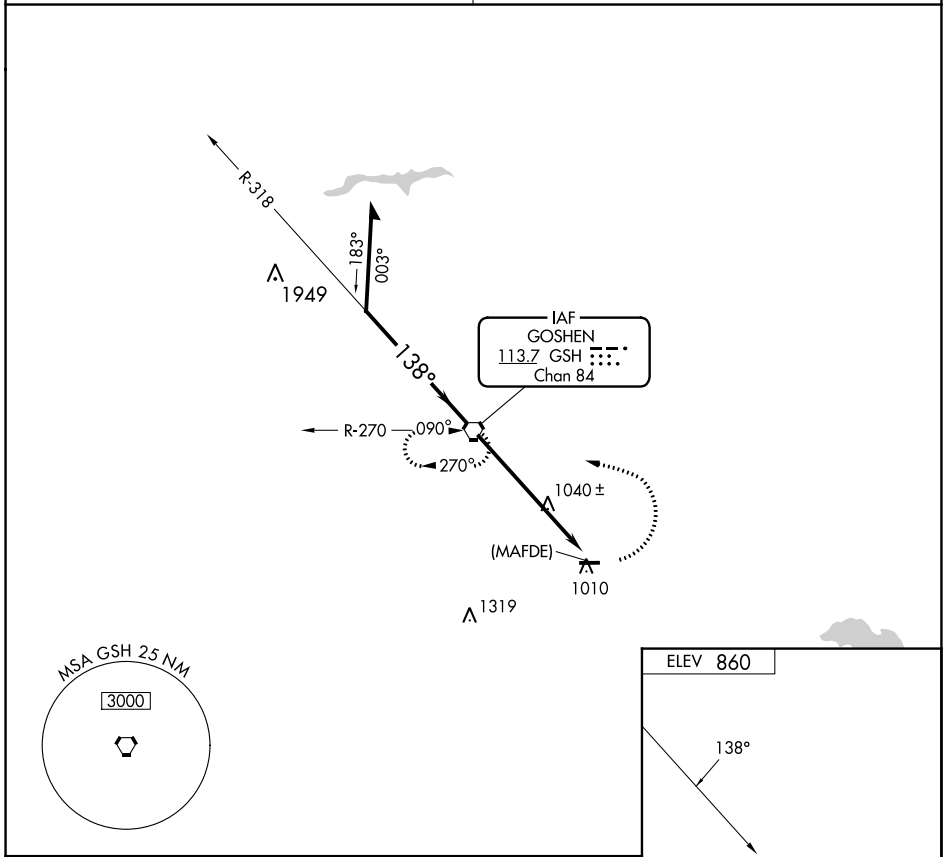


| | | |
|--|------------------------|--|
| VORTAC GSH 113.7 Chan 84 | APP CRS 138° | Rwy Idg TDZE Apt Elev N/A N/A 860 |
|--|------------------------|--|

VOR or GPS-B
NAPPANEE MUNI (C03)

| | |
|--|--|
| <p>▼ Use South Bend altimeter setting.</p> <p>▲ NA</p> | <p>MISSED APPROACH: Climbing left turn to 3000 direct GSH VORTAC and hold.</p> |
| <p>SOUTH BEND APP CON *</p> <p>132.05 257.8</p> | <p>UNICOM</p> <p>123.0 (CTAF) 0</p> |



| | | | | | | | | | | |
|----------|--------------------|---|----|---|-------------------|------|------|------|------|------|
| CATEGORY | A | B | C | D | FAF to MAP 6.4 NM | | | | | |
| CIRCLING | 1420-1 560 (600-1) | | NA | | Knots | 60 | 90 | 120 | 150 | 180 |
| | | | | | Min:Sec | 6:24 | 4:16 | 3:12 | 2:34 | 2:08 |

EC-2, 26 DEC 2024 to 23 JAN 2025

EC-2, 26 DEC 2024 to 23 JAN 2025