

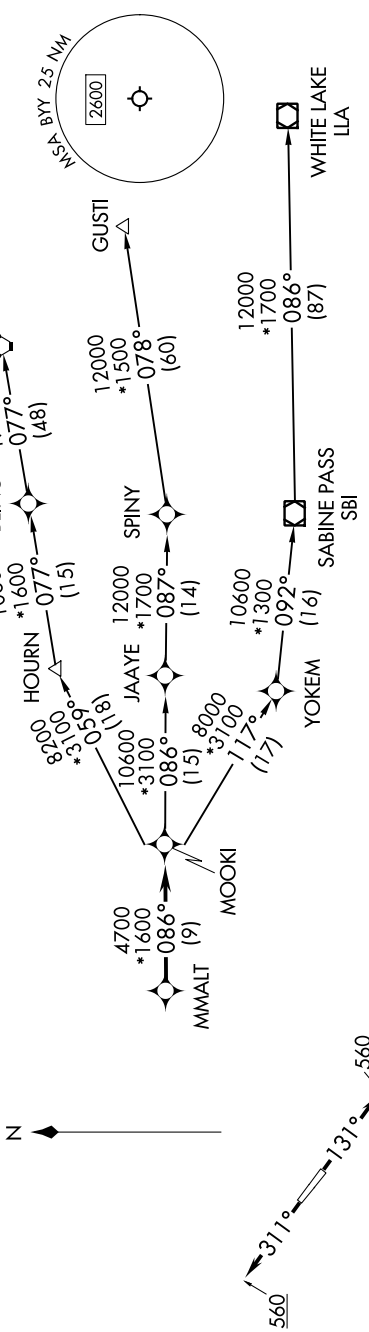
# MMALT SEVEN DEPARTURE (RNAV)

BAY CITY, TEXAS

SC-5, 26 DEC 2024 to 23 JAN 2025

RNAV 1 - DME/DME/IRU or GPS.  
RADAR required.

HOUSTON DEP CON  
128.6 360.85



NOTE: GUSTI and LCH Transitions ATC assigned only for aircraft departing AXH, EFD, GLS, HPY, IWS, LBX, LVJ, SGR, TME, T00, T41 and 54T.

## DEPARTURE ROUTE DESCRIPTION

**TAKEOFF RUNWAY 13:** Climb on heading 131° to 560, for RADAR vectors to MMALT, thence. . . .  
**TAKEOFF RUNWAY 31:** Climb on heading 311° to 560, for RADAR vectors to MMALT, thence. . . .

. . . on track 086° to MOOKI, then on (transition). Maintain ATC assigned altitude.  
Expect filed altitude 10 minutes after departure.

GUSTI TRANSITION (MMALT7.GUSTI)  
LAKE CHARLES TRANSITION (MMALT7.LCH)  
WHITE LAKE TRANSITION (MMALT7.LLA)

# MMALT SEVEN DEPARTURE (RNAV)

(MMALT7.MMALT) 30NOV23

BAY CITY, TEXAS

BAY CITY RGNL (BY Y)

SC-5, 26 DEC 2024 to 23 JAN 2025