

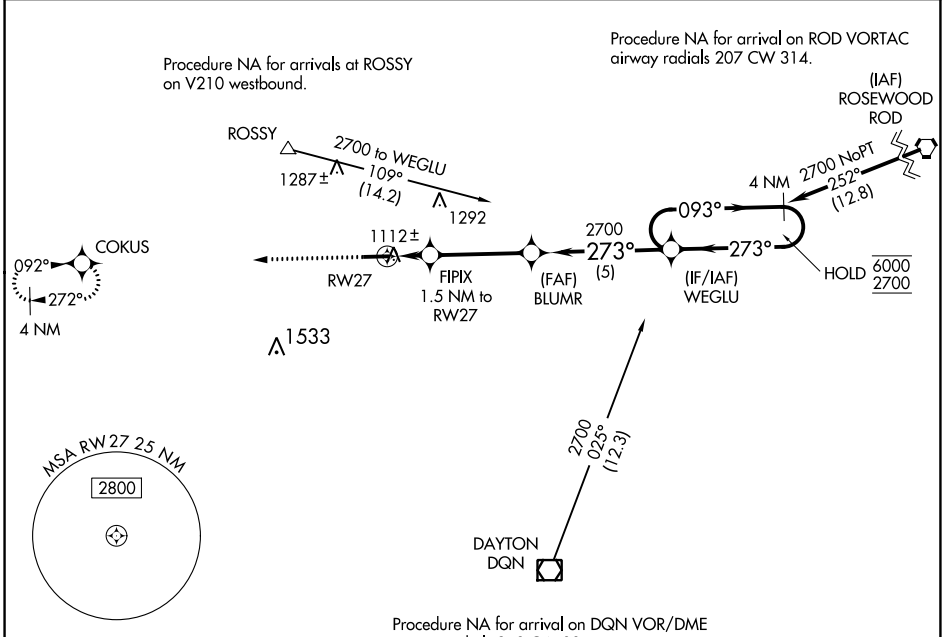
WAAS CH <b>86243</b> W27A	APP CRS <b>273°</b>	Rwy Idg TDZE Apt Elev	<b>4802</b> <b>1007</b> <b>1007</b>
---------------------------------	------------------------	-----------------------------	---

# RNAV (GPS) RWY 27

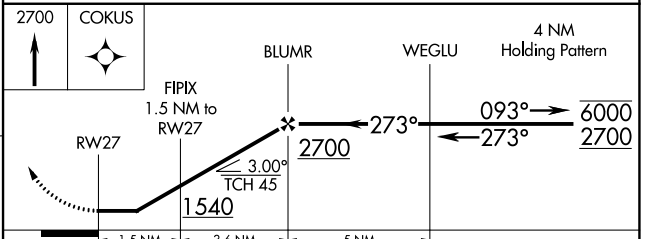
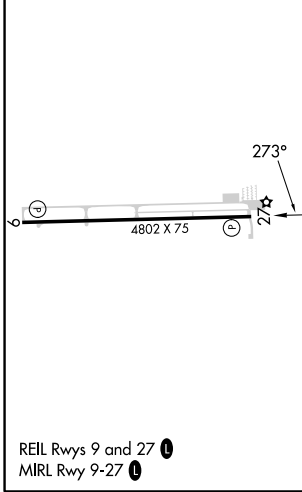
DARKE COUNTY (VES)

RNP APCH. ▼ Rwy 27 helicopter visibility reduction below 1 SM NA. Straight-in Rwy 27 NA at night, Circling Rwy 27 NA at night.	MISSED APPROACH: Climb to 2700 direct COKUS and hold.
--	---

AWOS-3T <b>125.9</b>	COLUMBUS APP CON <b>134.45 352.05</b>	UNICOM <b>122.8 (CTAF)</b> ①
-------------------------	--	---------------------------------



ELEV 1007	TDZE 1007
-----------	-----------



CATEGORY	A	B	C	D
LP MDA		1380-1 373 (400-1)		NA
LNAV MDA		1380-1 373 (400-1)		NA
☑ CIRCLING	1440-1 433 (500-1)	1480-1 473 (500-1)	1660-1¾ 653 (700-1¾)	NA

EC-2, 26 DEC 2024 to 23 JAN 2025

EC-2, 26 DEC 2024 to 23 JAN 2025