

WAAS CH 86943 W27A	APP CRS 274°	Rwy Idg TDZE Apf Elev	3401 1070 1070
--	------------------------	-----------------------------	---

RNAV (GPS) RWY 27

HARTFORD MUNI (HXF)

RNP APCH.

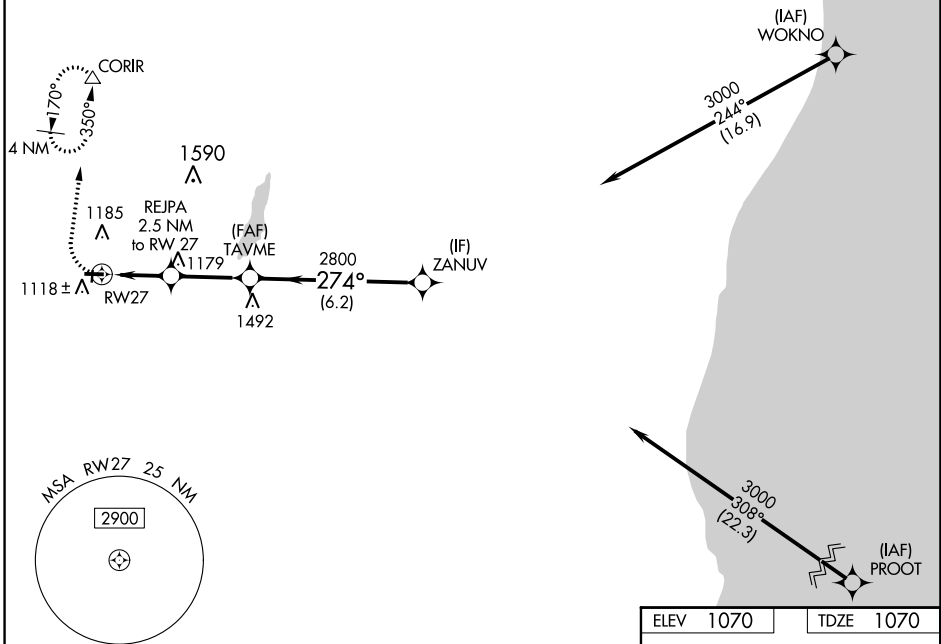
- ▼ Circling NA to Rwys 18 and 36.
- ▲ NA Rwy 27 helicopter visibility reduction below 3/4 SM NA.
- Baro-VNAV NA. Use West Bend altimeter setting.

MISSED APPROACH: Climb to 1700 then climbing right turn to 3000 direct CORIR and hold, continue climb-in-hold to 3000.

ETB AWOS-3
120.0

MILWAUKEE APP CON
125.35 307.0

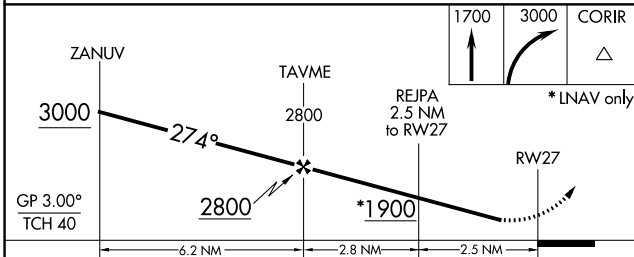
UNICOM
123.0 (CTAF) 0



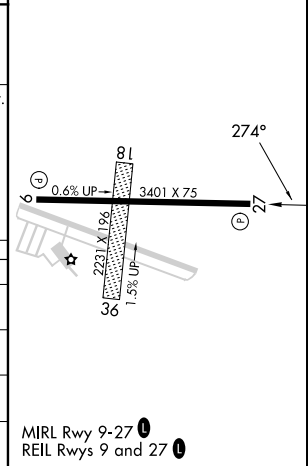
EC-3, 26 DEC 2024 to 23 JAN 2025

EC-3, 26 DEC 2024 to 23 JAN 2025

ELEV 1070	TDZE 1070
-----------	-----------



CATEGORY	A	B	C	D
LPV DA	1374-7/8	304 (400-7/8)		NA
LNAV/VNAV DA	1415-1	345 (400-1)		NA
LNAV MDA	1540-1	470 (500-1)		NA
C CIRCLING	1560-1	490 (500-1)		NA



MIRL Rwy 9-27 0
REIL Rwys 9 and 27 0