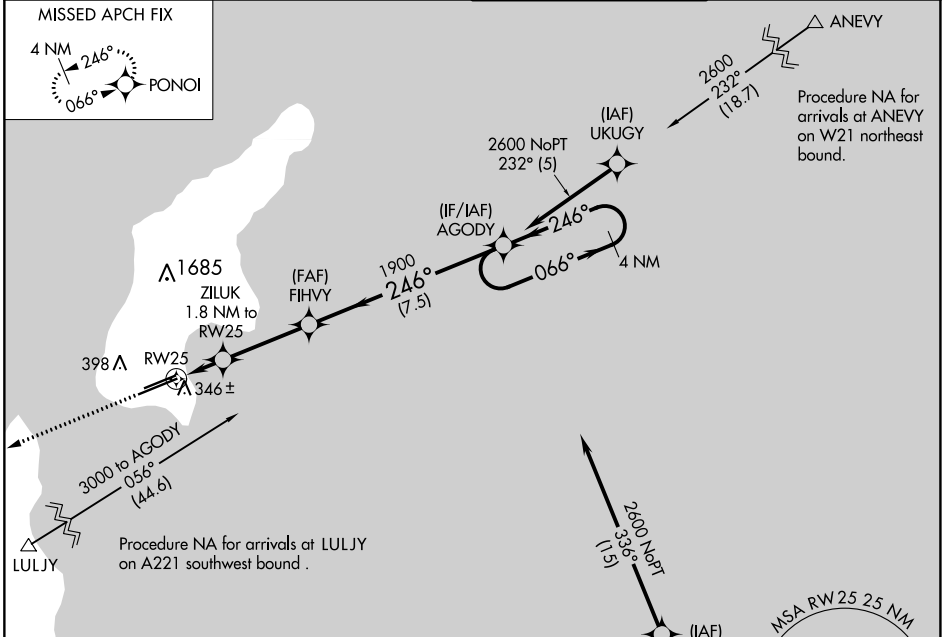


APP CRS <b>246°</b>	Rwy Idg TDZE Apt Elev	<b>8010</b> <b>210</b> <b>215</b>
------------------------	-----------------------------	---

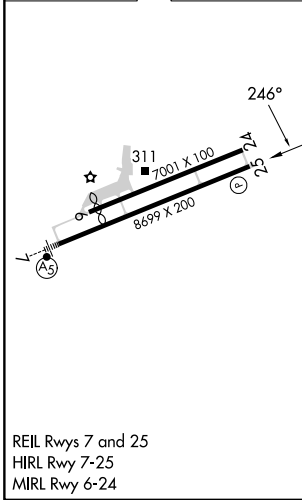
# RNAV (GPS) RWY 25

FRANCISCO C ADA/SAIPAN INTL (G5N)(PG5N)

RNP APCH - GPS.		MISSED APPROACH: Climb to 2600 direct PONOI and hold.	
ATIS <b>127.2</b>	GUAM CERAP <b>118.4 290.5</b>	SAIPAN TOWER <b>125.7 256.9</b>	GND CON <b>121.8</b>



ELEV 215	<b>D</b>	TDZE 210
----------	----------	----------



CATEGORY	A	B	C	D
	600-1	390 (400-1)	600-1 1/8	390 (400-1 1/8)
LNAV MDA	600-1	390 (400-1)	600-1 1/8	390 (400-1 1/8)
<b>C</b> CIRCLING	720-1	505 (600-1)	720-1 1/2	780-2
			505 (600-1 1/2)	565 (600-2)

PAC, 26 DEC 2024 to 20 FEB 2025

PAC, 26 DEC 2024 to 20 FEB 2025