

CARO, MICHIGAN

AL-6375 (FAA)

24249

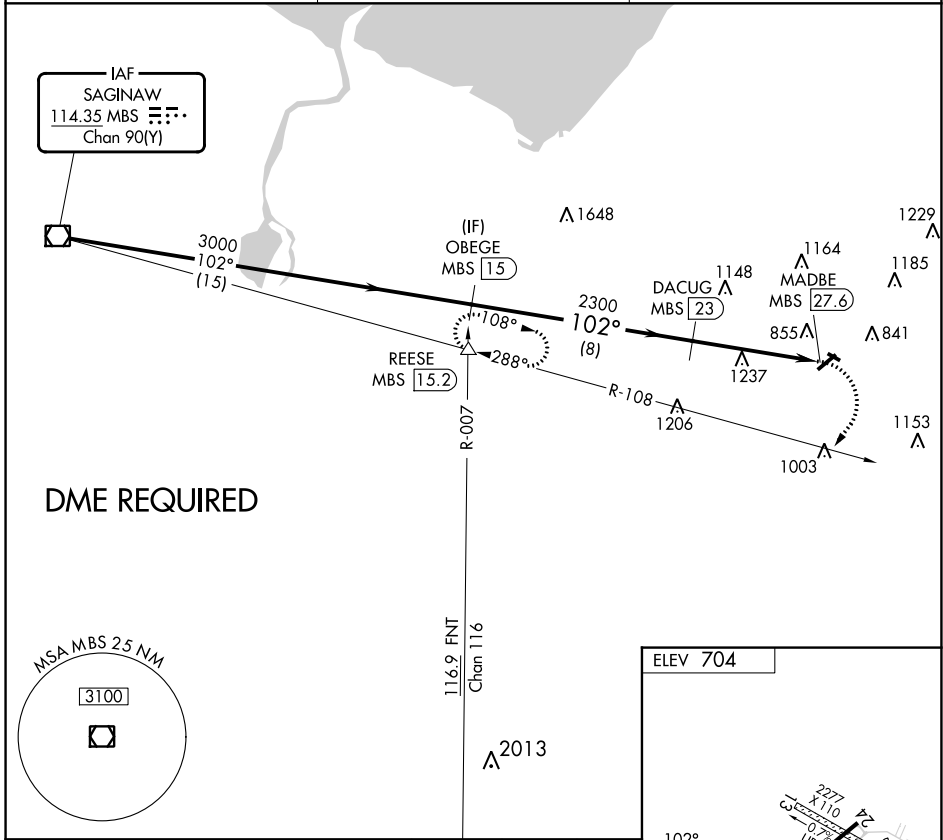
VOR/DME MBS <b>114.35</b> Chan <b>90(Y)</b>	APP CRS <b>102°</b>	Rwy Idg TDZE Apt Elev <b>704</b>	<b>N/A</b> <b>N/A</b> <b>704</b>
---	------------------------	---	--

**VOR-A**

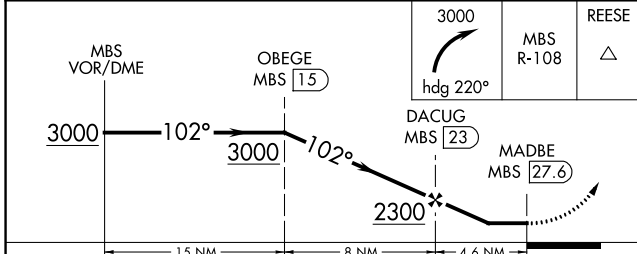
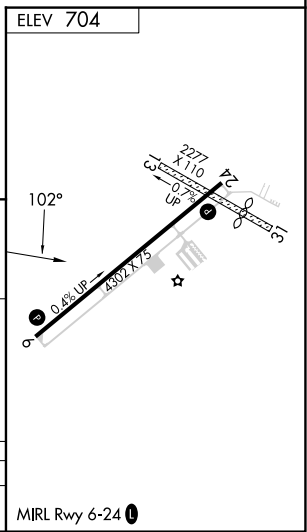
TUSCOLA AREA (CFS)

<b>▼</b> Circling NA to Rwy 13 and 31. DME required. Procedure NA at night.	MISSED APPROACH: Climbing right turn to 3000 on heading 220° and on MBS VOR/DME R-108 to REESE INT/15.2 DME and hold.
--	--

AWOS-3 <b>119.275</b>	GREAT LAKES APP CON ★ <b>120.95 235.625</b>	UNICOM <b>123.0 (CTAF) 0</b>
--------------------------	--	---------------------------------



**DME REQUIRED**



CATEGORY	A	B	C	D
<b>C</b> CIRCLING	1240-1	536 (600-1)	1240-1½ 536 (600-1½)	NA

CARO, MICHIGAN  
Amdt 7 24MAY18

43°28'N-83°27'W

TUSCOLA AREA (CFS)

**VOR-A**

EC-1, 26 DEC 2024 to 23 JAN 2025

EC-1, 26 DEC 2024 to 23 JAN 2025