

**TOP ALTITUDE:
ASSIGNED BY ATC**

(AEX3.AEX) 24137
ALEXANDRIA THREE DEPARTURE

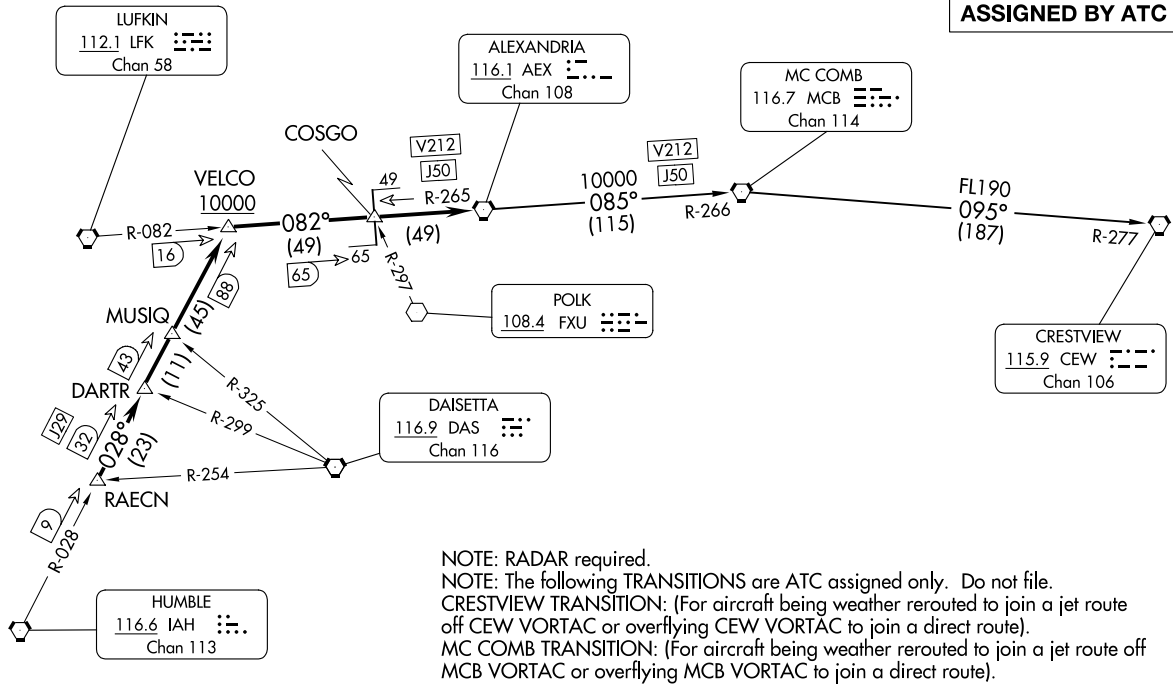
AL-4453 (FAA)

TEXAS GULF COAST RGNL (LJBX)
ANGLETON/LAKE JACKSON, TEXAS

ASOS
119.925
CLNC DEL
125.2
CTAF
123.0
HOUSTON DEP CON
134.45 284.0

ALEXANDRIA THREE DEPARTURE
(AEX3.AEX) 07OCT21

ANGLETON/LAKE JACKSON, TEXAS
TEXAS GULF COAST RGNL (LJBX)



NOTE: RADAR required.
 NOTE: The following TRANSITIONS are ATC assigned only. Do not file.
 CRESTVIEW TRANSITION: (For aircraft being weather rerouted to join a jet route off CEW VORTAC or overflying CEW VORTAC to join a direct route).
 MC COMB TRANSITION: (For aircraft being weather rerouted to join a jet route off MCB VORTAC or overflying MCB VORTAC to join a direct route).

TAKEOFF MINIMUMS
 Rwy's 17, 35: Standard.

NOTE: Chart not to scale.

(CONTINUED ON FOLLOWING PAGE)

ALEXANDRIA THREE DEPARTURE



DEPARTURE ROUTE DESCRIPTION

TAKEOFF ALL RUNWAYS: When entering controlled airspace, climb on assigned heading for RADAR vectors to RAECN INT. Maintain ATC assigned altitude. Expect filed altitude 10 minutes after departure, thence. . . .

. . . .on IAH R-028 to VELCO INT, cross VELCO INT at or above 10000, then right turn on LFK R-082 and AEX R-265 to AEX VORTAC.

CRESTVIEW TRANSITION (AEX3.CEW): From over AEX VORTAC on AEX R-085 and MCB R-266 to MCB VORTAC, then on MCB R-095 and CEW R-277 to CEW VORTAC.

MC COMB TRANSITION (AEX3.MCB): From over AEX VORTAC on AEX R-085 and MCB R-266 to MCB VORTAC.

SC-5, 26 DEC 2024 to 23 JAN 2025

SC-5, 26 DEC 2024 to 23 JAN 2025