

APP CRS 275°	Rwy Idg 3727
	TDZE 670
	Apt Elev 670

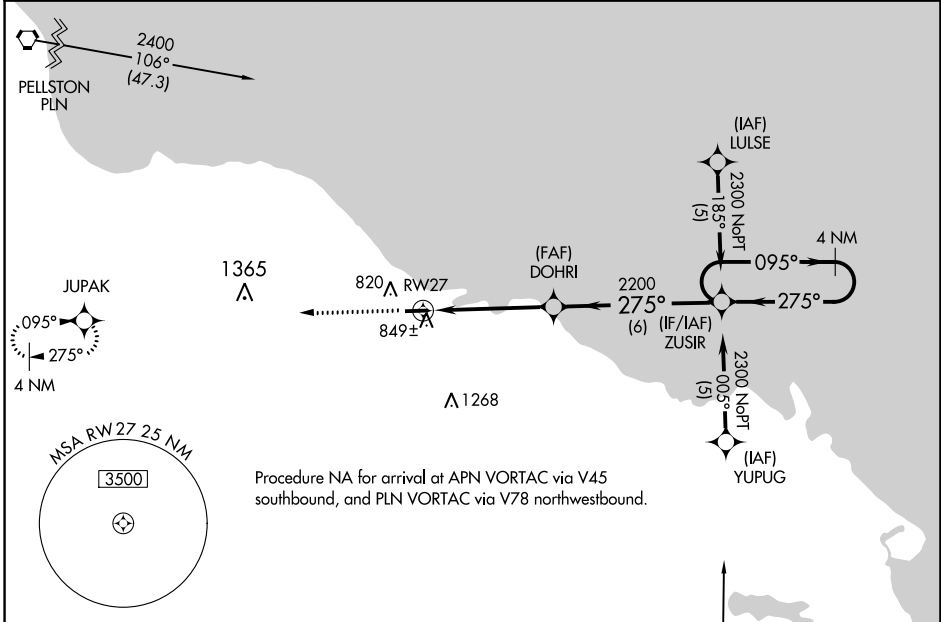
RNAV (GPS) RWY 27

PRESQUE ISLE COUNTY (PZQ)

⚠ DME/DME RNP-0.3 NA. Circling NA at night to Rwy 9.
⚠ NA If local altimeter setting not received, use Alpena County Rgnl altimeter setting and increase all MDAs 60 feet.
 VDP NA with Alpena County Rgnl altimeter setting.

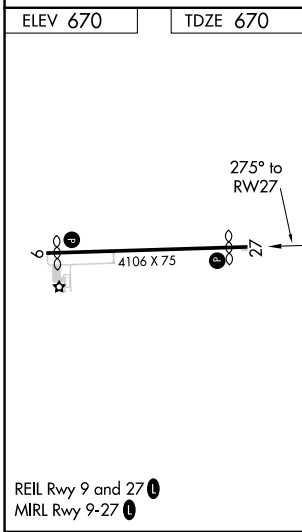
MISSED APPROACH: Climb to 2500 direct JUPAK and hold.

AWOS-3 118.125	ALPENA APP CON ★ 128.425 379.3	CTAF 122.9
--------------------------	--	----------------------



EC-1, 26 DEC 2024 to 23 JAN 2025

EC-1, 26 DEC 2024 to 23 JAN 2025



CATEGORY	A	B	C	D
LNAV MDA	1100-1	430 (500-1)	1100-1¼ 430 (500-1¼)	NA
CIRCLING	1200-1 530 (600-1)	1240-1 570 (600-1)	1260-1½ 590 (600-1½)	NA

REIL Rwy 9 and 27 ⚠
 MIRL Rwy 9-27 ⚠