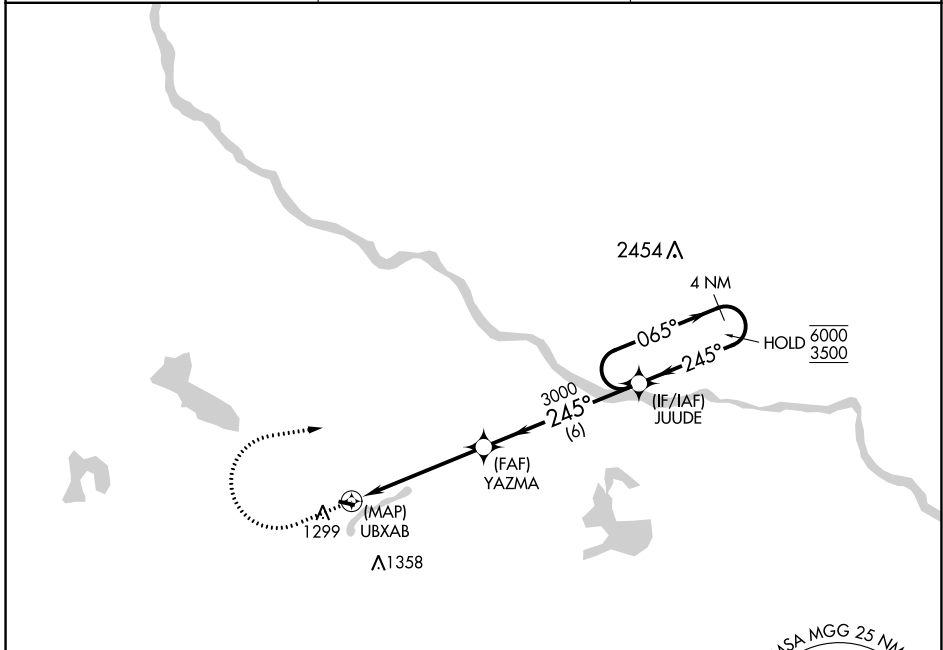


APP CRS	Rwy Idg	N/A
<b>245°</b>	TDZE	N/A
	Apt Elev	<b>1028</b>

# RNAV (GPS)-A

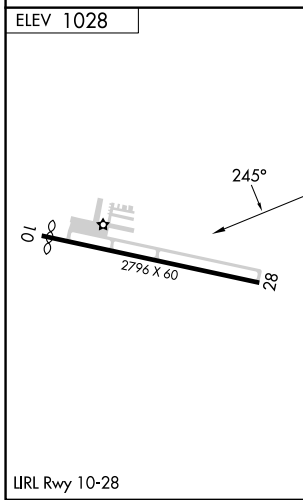
MAPLE LAKE MUNI-BILL MAVENCAMP SR FLD (MGG)

RNP APCH - GPS.		MISSED APPROACH: Climb to 2000 then climbing right turn to 3500 direct JUUDE and hold.
<p><b>⚠</b> Procedure NA at night. Rwy 10 and 28 helicopter visibility reduction below 1 SM NA. When local altimeter setting not received, use Buffalo altimeter setting and increase all MDAs 40 feet.</p>		
AWOS-3 <b>128.325</b>	MINNEAPOLIS APP CON <b>126.5 335.65</b>	UNICOM <b>122.8 (CTAF)</b>



NC-1, 26 DEC 2024 to 23 JAN 2025

NC-1, 26 DEC 2024 to 23 JAN 2025



ELEV 1028	MSA MGG 25 NM 3500			
2000	3500	JUUDE	JUUDE 4 NM Holding Pattern	
↑	↪	✧	065° → 6000	← 245° 3500
UBxab		YAZMA		
5.1 NM		6 NM		
CATEGORY	A	B	C	D
CIRCLING	1660-1	632 (700-1)	1720-2 692 (700-2)	NA