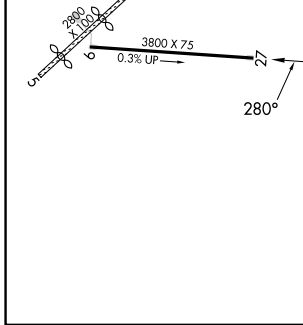
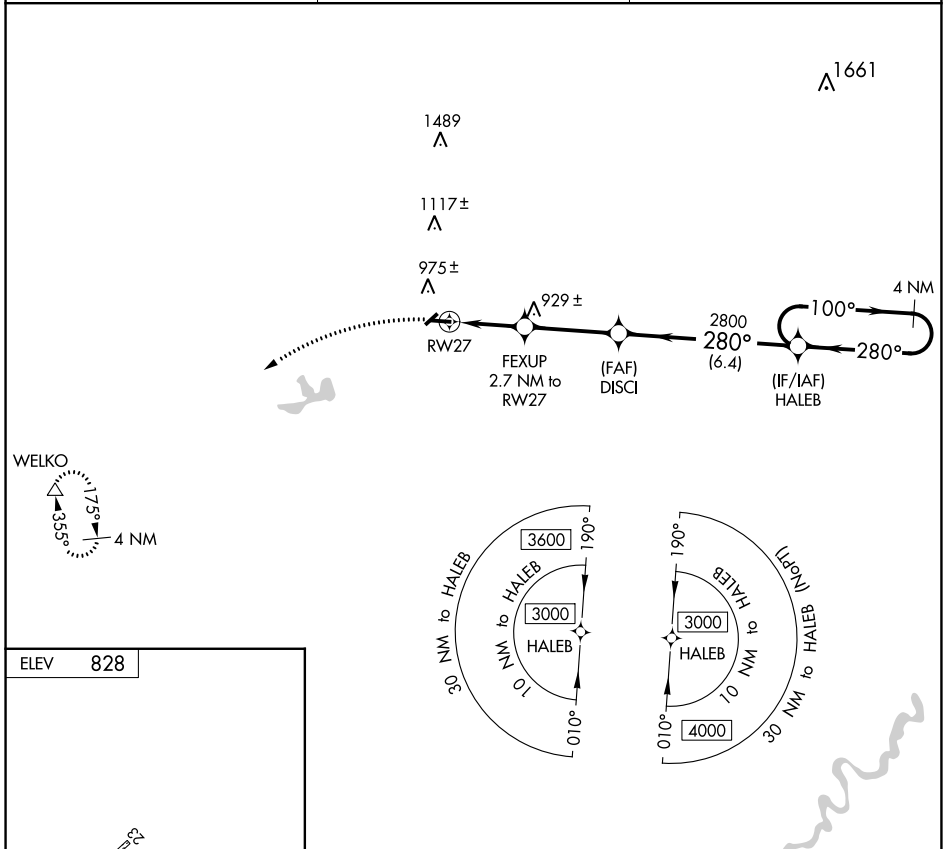


APP CRS <b>280°</b>	Rwy ldg TDZE Apt Elev	<b>N/A</b> <b>N/A</b> <b>828</b>
------------------------	--------------------------	--

# RNAV (GPS)-A

BALDWIN MUNI (7D3)

<p><b>▼</b> Circling NA to Rwys 5 and 23. DME/DME RNP-0.3 NA. Helicopter visibility reduction below 1 SM NA.</p> <p><b>▲</b> NA Use Fremont Muni altimeter setting. Procedure NA at night.</p>	<p>MISSED APPROACH: Climbing left turn to 3600 direct WELKO and hold.</p>	
<p>FFX AWOS-3 <b>118.775</b></p>	<p>MINNEAPOLIS CENTER <b>120.85 322.35</b></p>	<p>CTAF <b>122.9</b></p>



	3600 WELKO ▲	4 NM Holding Pattern		
	FEXUP 2.7 NM to RWY 27	DISCI		
	1720	2800		
	2.7 NM	3.4 NM		
	6.4 NM			
HALEB	100° →	3000		
	← 280°			
CATEGORY	A	B	C	D
<b>■</b> CIRCLING	1400-1	572 (600-1)	1400-1½ 572 (600-1½)	NA

EC-1, 26 DEC 2024 to 23 JAN 2025

EC-1, 26 DEC 2024 to 23 JAN 2025