

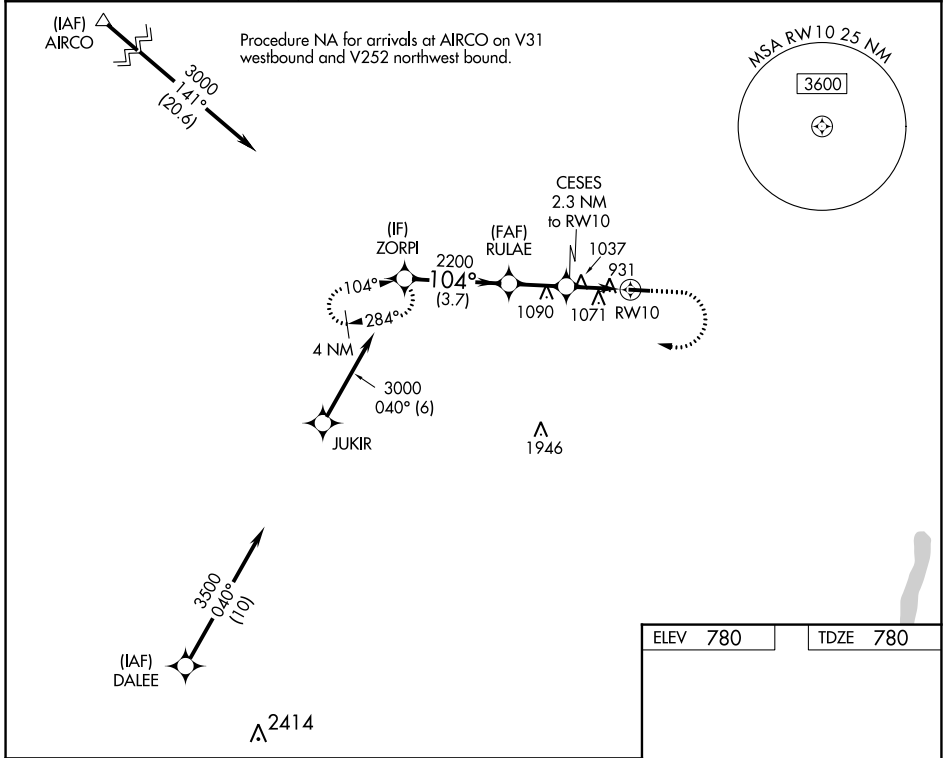
WAAS CH <b>61030</b> <b>W10A</b>	APP CRS <b>104°</b>	Rwy Idg TDZE Apf Elev	<b>3854</b> <b>780</b> <b>780</b>
--	------------------------	-----------------------------	---

# RNAV (GPS) RWY 10

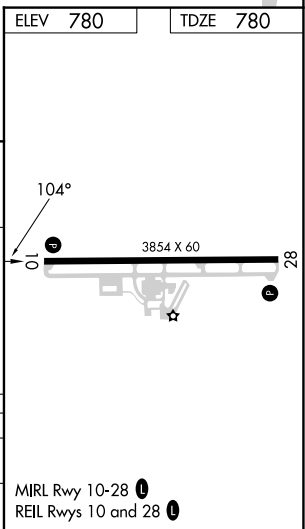
LE ROY (5GⓈ)

RNP APCH-GPS.		MISSED APPROACH: Climb to 1500 then climbing right turn to 3000 direct ZORPI and hold.
Procedure NA at night. Rwy 10 helicopter visibility reduction below 1 SM NA. Use Rochester altimeter setting.		

ROC ASOS <b>124.825</b>	ROCHESTER APP CON <b>123.7 322.3</b>	UNICOM <b>122.8 (CTAF) 0</b>
----------------------------	---	---------------------------------



ELEV 780		TDZE 780	
ZORPI		RULAE	
3000		2200	
104°		3.00° TCH 31	
3.7 NM		2.1 NM	
RWY 10		1540	
2.3 NM		2.3 NM	
CATEGORY	A	B	C
LP MDA	1360-1	580 (600-1)	NA
LNAV MDA	1400-1	620 (700-1)	NA



NE-2, 26 DEC 2024 to 23 JAN 2025

NE-2, 26 DEC 2024 to 23 JAN 2025