

WAAS CH <b>93838</b> <b>W27A</b>	APP CRS <b>270°</b>	Rwy Idg TDZE Apt Elev	<b>4043</b> <b>1240</b> <b>1243</b>
--	------------------------	-----------------------------	---

# RNAV (GPS) RWY 27

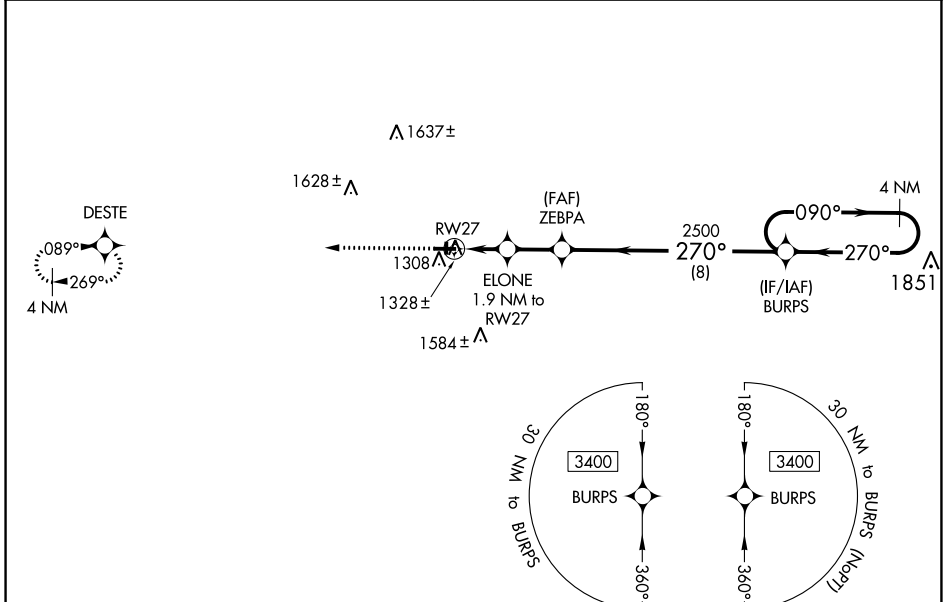
CUMBERLAND MUNI (UBE)

RNP APCH - GPS.

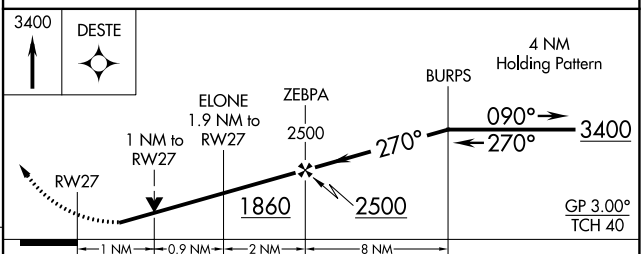
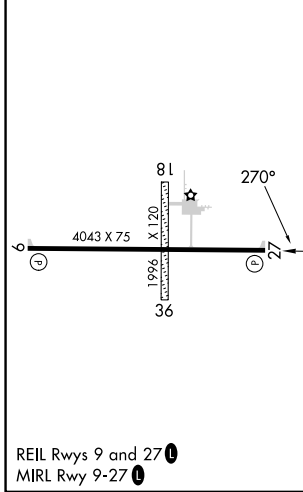
**▼** For uncompensated Baro-VNAV systems, LNAV/VNAV NA below -17°C or above 54°C. Baro-VNAV and VDP NA when using Rice Lake altimeter setting. Rwy 27 helicopter visibility reduction below ¼ SM NA. When local altimeter setting not received, use Rice Lake altimeter setting; increase LPV DA to 1533 feet and LNAV/VNAV DA to 1549 feet and all MDA 60 feet; increase LPV all Cats visibility and LNAV Cat C/D visibility ½ mile; increase Circling Cat D visibility ¼ mile. Circling Rwy 18, 36 NA at night.

**▲** MISSED APPROACH: Climb to 3400 direct DESTE and hold.

AWOS-3PT <b>119.175</b>	MINNEAPOLIS CENTER <b>125.3 335.6</b>	GCO <b>121.725</b>	UNICOM <b>122.8 (CTAF) 0</b>
----------------------------	--	-----------------------	---------------------------------



ELEV 1243	TDZE 1240
-----------	-----------



CATEGORY	A	B	C	D
LPV DA		1490-1	250 (300-1)	
LNAV/VNAV DA		1506-1	266 (300-1)	
LNAV MDA		1580-1	340 (400-1)	
<b>C</b> CIRCLING	1640-1 397 (400-1)	1940-1 697 (700-1)	1940-2 697 (700-2)	1980-2 ¼ 737 (800-2 ¼)

EC-3, 26 DEC 2024 to 23 JAN 2025

EC-3, 26 DEC 2024 to 23 JAN 2025