

WAAS CH <b>61137</b> <b>W36A</b>	APP CRS <b>001°</b>	Rwy ldg TDZE <b>736</b> Apt Elev <b>738</b>	<b>4894</b>
--	------------------------	---	-------------

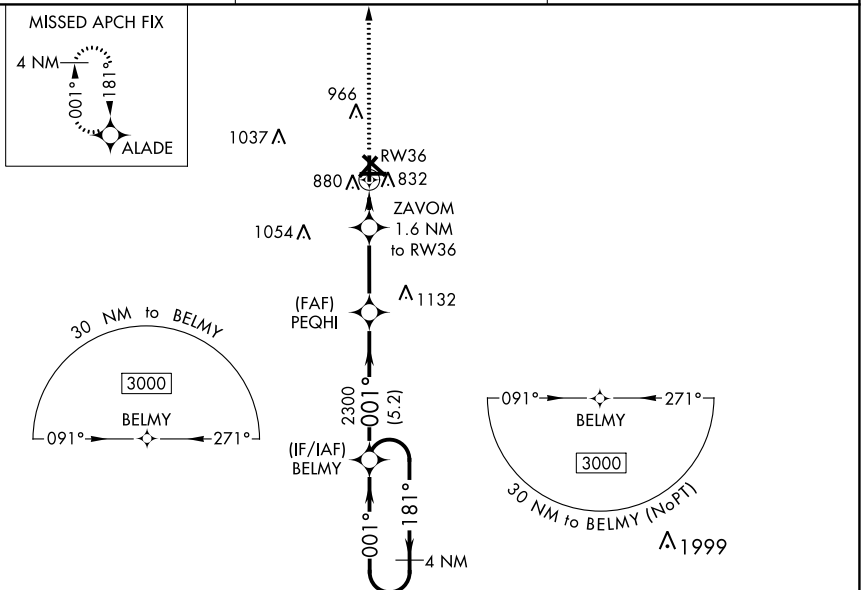
# RNAV (GPS) RWY 36

RANTOUL NTL AVN CNTR-FRANK ELLIOTT FLD (TIP)

**⚠** Baro-VNAV NA when using Champaign Urbana altimeter setting. For uncompensated Baro-VNAV systems, LNAV/VNAV NA below -1.6°C (4°F) or above 54°C (130°F). DME/DME RNP-0.3 NA. When local altimeter setting not received, use Champaign Urbana altimeter setting and increase all DA 41 feet and all MDA 60 feet; increase LNAV/VNAV all Cats visibility 1/8 mile and Circling Cats C/D visibility 1/4 mile. Helicopter visibility reduction below 3/4 SM NA.

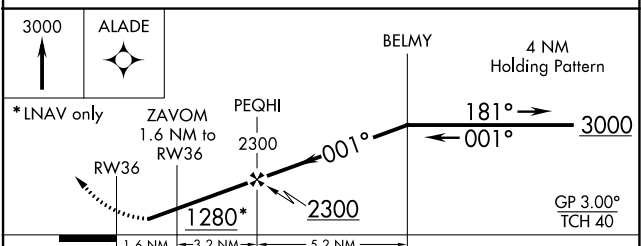
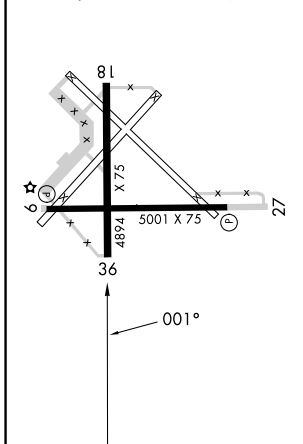
**MISSED APPROACH:**  
Climb to 3000 direct ALADE and hold.

AWOS-3 <b>119.025</b>	CHAMPAIGN APP CON ★ <b>121.35 285.65</b>	UNICOM <b>123.0 (CTAF) 0</b>
--------------------------	---	---------------------------------



ELEV 738	TDZE 736
----------	----------

REIL Rwy 9 and 27  
MIRL Rwy 9-27 and 18-36



CATEGORY	A	B	C	D
LPV DA	986-1 250 (300-1)			
LNAV/VNAV DA	1147-1 3/8 411 (500-1 3/8)			
LNAV MDA	1140-1	404 (500-1)	1140-1 1/8	404 (500-1 1/8)
<b>C</b> CIRCLING	1220-1 482 (500-1)	1280-1 542 (600-1)	1380-1 3/4 642 (700-1 3/4)	1420-2 1/4 682 (700-2 1/4)

EC-3, 26 DEC 2024 to 23 JAN 2025

EC-3, 26 DEC 2024 to 23 JAN 2025