

WAAS CH 82441 W29A	APP CRS 291°	Rwy Idg TDZE Apt Elev	3200 29 29
--	------------------------	-----------------------------	---------------------------------------

RNAV (GPS) RWY 29

BUCKLAND (BVK)(PABL)

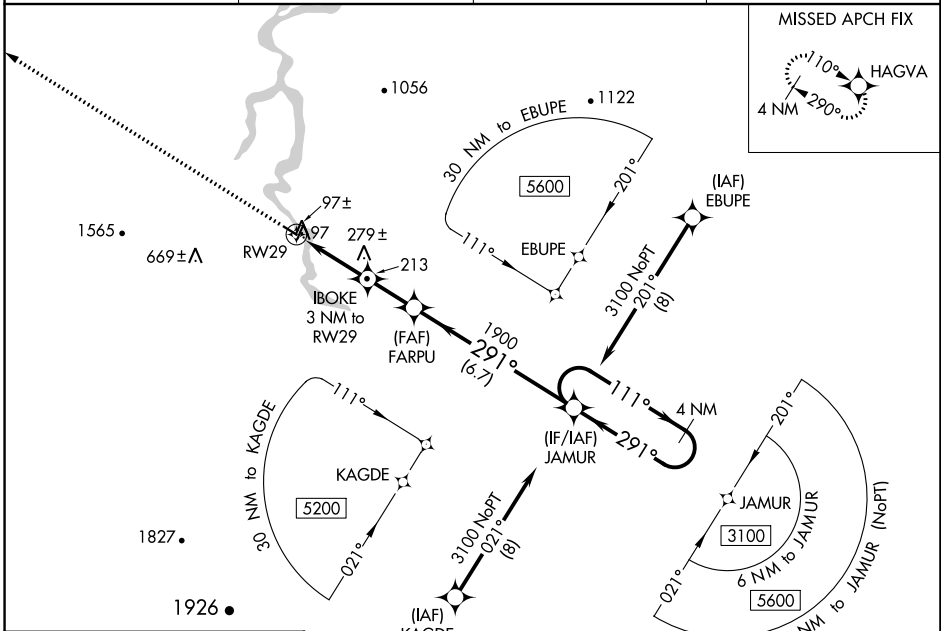
RNP APCH.

▼ Rwy 29 helicopter visibility reduction below ¼ SM NA. VDP NA when using Selawik altimeter setting. When Buckland altimeter setting not received, use Selawik altimeter setting and increase all MDA 120 feet, LNAV Cat C visibility ⅓ SM and Circling Cat C ¼ SM.

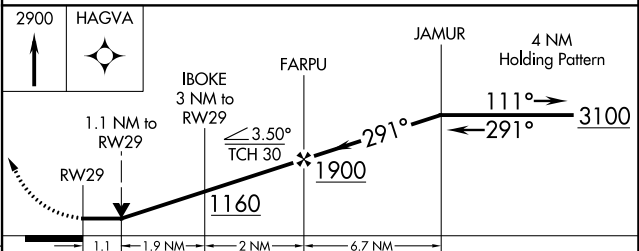
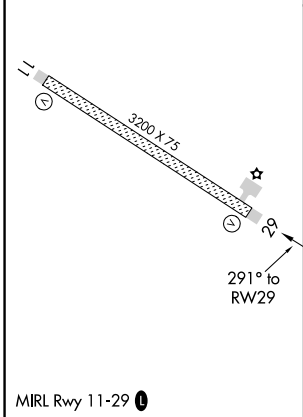
MISSED APPROACH:
Climb to 2900 direct
HAGVA and hold.

AWOS-3P 135.15	ANCHORAGE CENTER 119.2 263.0	KOTZEBUE RADIO 122.3	CTAF 122.9
--------------------------	--	--------------------------------	----------------------

MISSED APCH FIX



ELEV 29	TDZE 29
---------	---------



CATEGORY	A	B	C	D
LP MDA	480-1 451 (500-1)			NA
LNAV MDA	540-1	511 (600-1)	540-1⅓ 511 (600-1⅓)	NA
C CIRCLING	540-1	511 (600-1)	640-1¼ 611 (700-1¼)	NA

AK, 26 DEC 2024 to 20 FEB 2025

AK, 26 DEC 2024 to 20 FEB 2025